

# YAMAHA

## OUTBOARD MOTOR PARTS LIST



### MODEL 15A

### MODEL 15AK

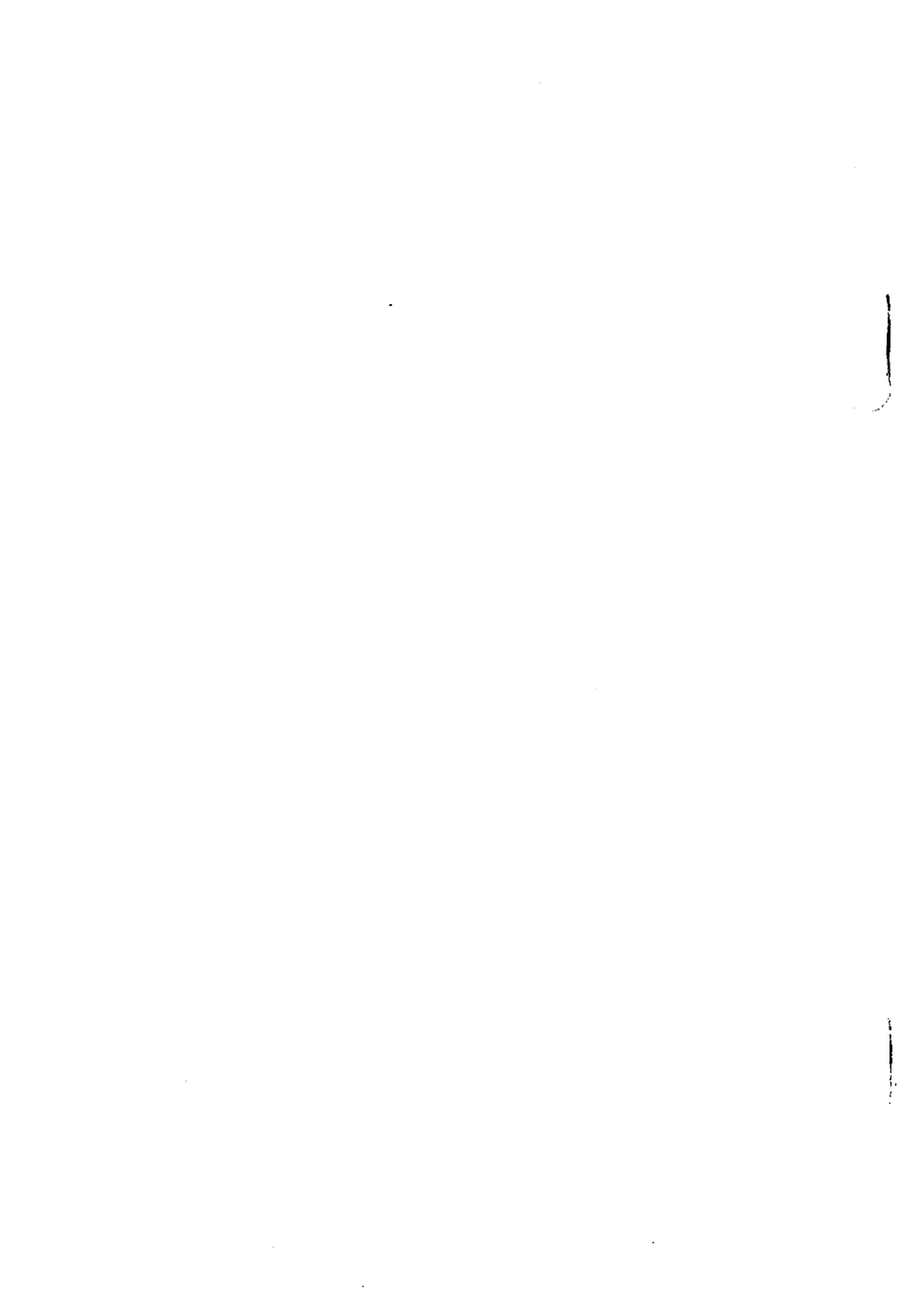
### FOR EUROPE



**YAMAHA MOTOR CO., LTD.**

COPY RIGHT: ALL RIGHTS RESERVED

NO PART OF THIS PUBLICATION MAY BE REPRODUCED WITHOUT PERMISSION.

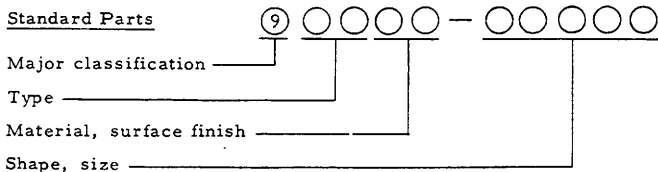
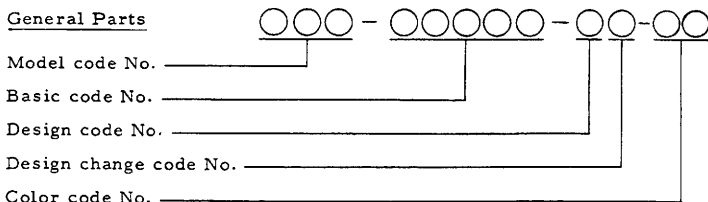


## FOREWORD

This Parts List relates to the parts in use for the Yamaha Outboard Motor 15A/15AK. When you are ordering replacement parts for the 15A/15AK, refer to this Parts List and quote both part numbers and names correctly.

### 1. Structure of Part No.

Yamaha parts are divided largely into two categories; general parts and standard parts, and each part No. has the following structure:



Note: Every standard No. begins with 9.

### 2. How to Use this Parts List

- (1) Except for steel balls (whose size is indicated in inches), the size of all parts is indicated in millimeters in the following manner.

Hose (rubber or vinyl) . . . .	Inside diameter - outside diameter - length
O-ring . . . . .	Section area - inside diameter
Washer, shim, collar . . . . .	Inside diameter - outside diameter - thickness (length)
Pin, dowel . . . . .	Inside diameter - outside diameter - length

- (2) In the Parts List every component part of an assembly is so listed that each part name is indented one character from the left margin, and a dot (.) is attached before each.

Parts, which are not for sale, may be omitted from the list.

Example

Description	Q'ty
CARBURETOR ASS'Y .....	1
. JET, pilot .....	1
. NOZZLE, main .....	1
.	
.	
.	
. LEVER, stater .....	1

- (3) Key to symbols

U.R . . . .	Use size (thickness) and/or number as required
U.N . . . .	Use as many as you need
S . . . . .	S type oil seal or S type circlip
SD . . . . .	SD type oil seal
SW . . . . .	SW type oil seal
E . . . . .	E type circlip
R . . . . .	R type circlip
T . . . . .	Number of teeth in a gear
* . . . . .	New parts number
☆ . . . . .	Contents of gasket kit for power head
★ . . . . .	Contents of gasket kit for lower unit
◇ . . . . .	Contents of gasket kit for lower unit
◻ . . . . .	Contents of water pump repair kit
◼ . . . . .	Contents of water pump repair kit

- (4) In this parts list, the right and left with respect to positions of parts are determined viewing the boat hull from the stern.

(5) All spare parts used in the MODEL 15A/15AK, are listed in first edition of parts list for 15A/15AK (REF No. 651-28198-E5). For your easy reference, we show the history of revision of the parts from the first engine of 15A/15AK. We shall request you to apply this list in future, instead of the old one which have even been supplied to you. Please pay attention to the number of column of engine number, when you place order with us, so that you can avoid the order for wrong parts.

(6) Indication for the revise of spare parts

The contents of this parts list is almost same as ordinary parts list. However, please note that this parts list have the indication of interchangeable parts. If any parts shown on the parts list have interchangeable parts, marks "◇" are indicated on the REMARKS.

Example

Parts No.	Description	Q'ty	Remarks
650-14301-04	CARBURETOR ASS'Y	1	◇
650-14301-05	CARBURETOR ASS'Y	1	

As soon as the parts marked by "◇" will be sold out, only the substituted parts will be sold automatically.

In other words, when 650-14301-04 will be sold out, only 650-14301-05 will be supplied to you instead of 650-14301-04.

(7) This Parts List was prepared on Aug., 10, 1976. If any part of the list is changed, it will be published in the Yamaha Parts News. It is requested, therefore, that you will keep this Parts List up-to-dated by making necessary corrections.



# GASKET & REPAIR KIT

- ☆----- Indicates contents of gasket kit for power head  
15AS-09771~12755    15AKS-01271~01430  
L-42541~44360      L-32146~32225
- ★----- Indicates contents of gasket kit for power head  
15AS-13356~            15AKS-01431~  
L-45631~                L-32226~
- ◇----- Indicates contents of gasket kit for lower unit  
15AS-09771~12755    15AKS-01271~01430  
L-42541~44360      L-32146~32225
- ◆----- Indicates contents of gasket kit for lower unit  
15AS-13356~            15AKS-01431~  
L-45631~                L-32226~
- Indicates contents of water pump repair kit  
15AS-~09770            15AKS-~01270  
L-~42540                L-~32145
- Indicates contents of water pump repair kit  
15AS-09771~            15AKS-01271~  
L-42541~                L-32146~

# GASKET & REPAIR KIT

Parts No.	Description	Q'ty 15A 15AK	Remarks
☆----- Contents of gasket kit for power head -----			{ 15AS-09771 ~ 12755 L-42541 ~ 44360 15AKS-01271 ~ 01430 L-32146 ~ 32225
651-W0001-00	GASKET KIT FOR POWER HEAD	1s	
652-W0001-00	GASKET KIT FOR POWER HEAD	1s	
651-11181-01	GASKET, cylinderhead	1	Ref. No. 1-31
652-11181-00	GASKET, cylinderhead	1	1-31
626-11193-00	GASKET, head cover	1 1	1-34
626-12414-00	GASKET, cover	1 1	1-42
626-15369-00	GASKET, oil seal housing	1 1	1-50
626-41112-01	GASKET, exhaust inner cover	2 2	1-54
650-13621-00	PACKING	1 1	4-6
650-14198-00	GASKET	1 1	4-11
650-14384-00	GASKET, float chamber	1	5-27
650-14384-00	GASKET, float chamber	1	6-4
652-14384-00	GASKET, float chamber	1	6-49
626-45113-01	GASKET, upper casing	1 1	7-2
648-44365-01	RUBBER, water seal 1	1 1	9-14
650-24431-00	GASKET, fuel pump	1	22-16
650-24431-00	GASKET, fuel pump	1	23-21
648-24564-02	PACKING, filter 1	1	24-9
648-24564-02	PACKING, filter 1	1	25-9
★----- Contents of gasket kit for power head -----			{ 15AS-13356 ~ L-45631 ~ 15AKS-01431 ~ L-32226 ~
651-W0001-10	GASKET KIT FOR POWER HEAD	1s	
652-W0001-10	GASKET KIT FOR POWER HEAD	1s	
626-15969-00	GASKET, oil seal housing	1 1	Ref. No. 1-50
626-41112-01	GASKET, exhaust inner cover	2 2	1-54
651-11181-02	GASKET, cylinderhead	1	2-6
652-11181-01	GASKET, cylinderhead	1	2-6



# GASKET & REPAIR KIT

Parts No.	Description	Q'ty		Remarks
		15A	15AK	
662-12414-00	GASKET, cover	1		2-12
650-13621-00	PACKING	1	1	4-6
650-14198-00	GASKET	1	1	4-11
650-14384-00	GASKET, float chamber	1		5-27
650-14384-00	GASKET, float chamber		1	6-4
652-14384-00	GASKET, float chamber		1	6-49
626-45113-01	GASKET, upper casing	1	1	7-2
648-44365-01	RUBBER, water seal 1	1	1	9-14
650-24431-00	GASKET, fuel pump	1		22-16
650-24431-00	GASKET, fuel pump		1	23-21
655-24564-00	PACKING, filter	1		24-15
93210-35339	O-RING (2.0-34.5)	1		24-17
655-24564-00	PACKING, filter		1	25-15
93210-35339	O-RING (2.0-34.5)		1	25-17

◇----- Contents of gasket kit for lower unit -----

15AS-09771 ~ 12755  
L-92541 ~ 44360  
15AKS-01271 ~ 01430  
L-32146 ~ 32225

652-W0001-20	GASKET KIT FOR LOWER UNIT	1s	1s	
650-45315-00	PACKING, lower casing	1	1	Ref. No. 8-5
90430-08020	GASKET	3	3	8-12
90430-06015	GASKET	1	1	8-14
93210-14106	O-RING (1.9-14)	1	1	8-24
93210-14104	O-RING (2.4-13.8)	1	1	8-39
93210-58144	O-RING (3.1-58.4)	1	1	8-64
650-44315-00	GASKET, water pump	1	1	9-8

# GASKET & REPAIR KIT

Parts No.	Description	Q'ty		Remarks
		15A	15AK	
◆----- Contents of gasket kit for lower unit -----				{ 15AS-13356 ~ L-45631 ~ 15AKS-01431 ~ L-32226 ~
651-W0001-30	GASKET KIT FOR LOWER UNIT	1s	1s	
650-45315-00	PACKING, lower casing	1	1	Ref. No. 8-5
90430-08020	GASKET	3	3	8-12
90430-06015	GASKET	1	1	8-14
93210-58144	O-RING (3.1-58.4)	1	1	8-64
650-44315-00	GASKET, water pump	1	1	9-8
□----- Contents of water pump repair kit -----				{ 15AS-~09770 L-~42540 15AKS-~01270 L-~32145
650-W0078-00-00	WATER PUMP REPAIR KIT	1s	1s	
90280-03024	KEY, woodruff	1	1	Ref. No. 8-22
650-44301-00-94	WATER PUMP HOUSING COMP.	1	1	9-1
650-44323-00	OUTER PLATE, cartridge	1	1	9-2
97370-06034	BOLT, hexagon	2	2	9-3
97370-06050	BOLT, hexagon	2	2	9-4
662-44352-00	IMPELLER	1	1	9-12
626-44365-01	RUBBER, water seal 1	1	1	9-16
■----- Contents of water pump repair kit -----				{ 15AS-09771 ~ L-42541 ~ 15AKS-01271 ~ L-32146 ~
650-W0078-10-00	WATER PUMP REPAIR KIT	1s	1s	
90280-03024	KEY, woodruff	1	1	Ref. No. 8-22
650-44322-01	INSERT, cartridge	1	1	9-6
650-44323-01	OUTER PLATE, cartridge	1	1	9-7
650-44315-00	GASKET, water pump	1	1	9-8
97370-06050	BOLT, hexagon	4	4	9-9
662-44352-00	IMPELLER	1	1	9-12
626-44365-01	RUBBER, water seal 1	1	1	9-16

# CONTENTS

Fig. 1	Crankcase · Cylinder	1
Fig. 2	Crankcase · Cylinder (15AS-13356~ 15AKS-01431~) L-45631~, L-32226~	7
Fig. 3	Crank · Piston	9
Fig. 4	Intake	13
Fig. 5	Carburetor (15A)	17
Fig. 6	Carburetor (15AK)	21
Fig. 7	Upper Casing	27
Fig. 8	Lower Casing · Drive	29
Fig. 9	Water Pump	37
Fig. 10	Bracket	39
Fig. 11	Tilt Lock	43
Fig. 12	Mounting	47
Fig. 13	Handle	49
Fig. 14	Handle (15AS-13356~ 15AKS-01431~) L-45631~, L-32226~	53
Fig. 15	Gear Shift	55
Fig. 16	Throttle Control	59
Fig. 17	Flywheel Magneto (40W)	61
Fig. 18	Flywheel Magneto (80W)	65
Fig. 19	Starter	67
Fig. 20	Top Cowling	71
Fig. 21	Bottom Cowling	73
Fig. 22	Fuel Pump (15A)	77
Fig. 23	Fuel Pump (15AK)	79
Fig. 24	Piping (15A)	81
Fig. 25	Piping (15AK)	83
Fig. 26	Fuel Tank (15A)	87
Fig. 27	Fuel Tank (15AK)	89

**OPTIONAL PARTS**

Fig. 28 Remote Control ..... 93

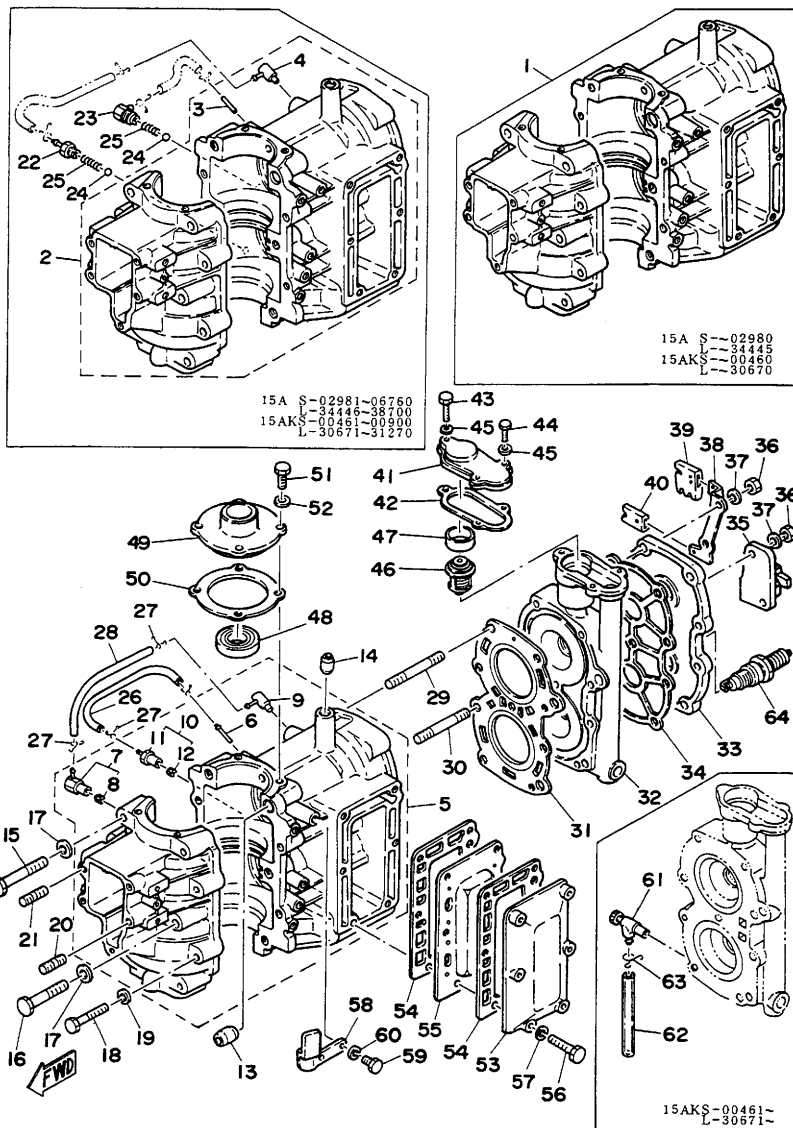
**NUMERICAL INDEX**

4  
5

6

7

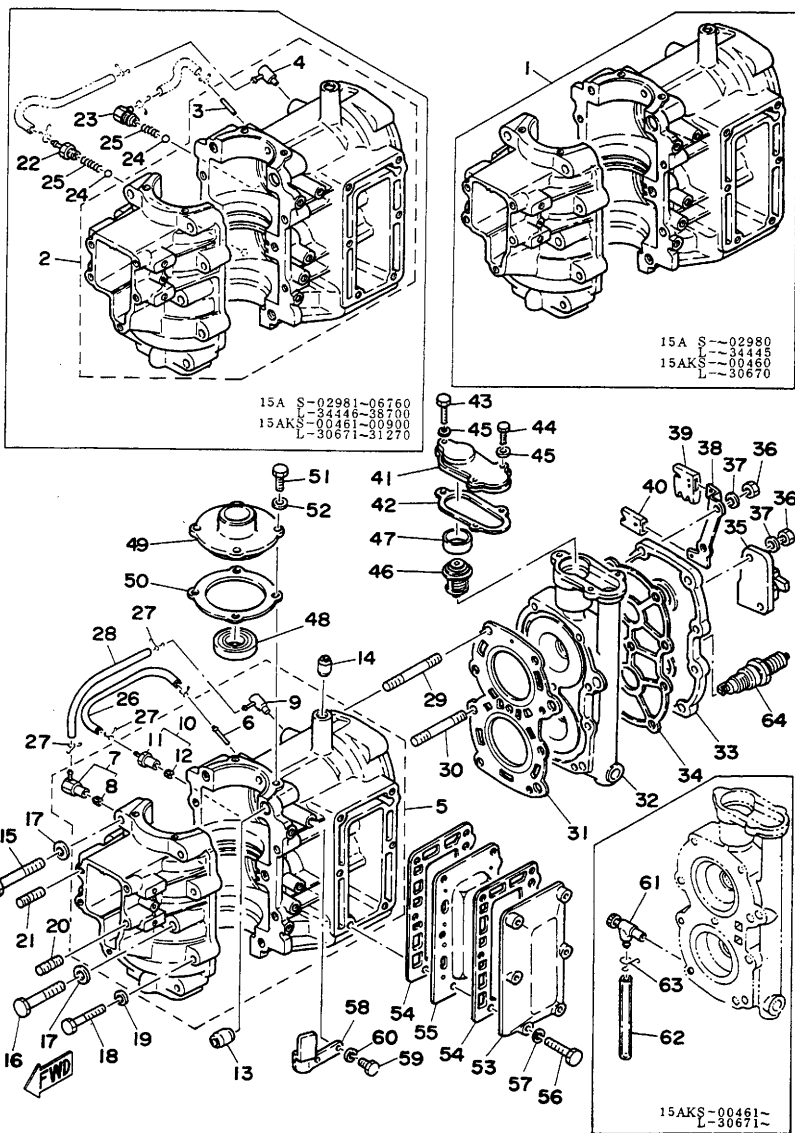
Fig. 1 CRANKCASE · CYLINDER



# CRANKCASE · CYLINDER

Ref. No.	Parts No.	Description	Q'ty		Applicable Machine No.	Remarks
			15A	15AK		
1- 1	651-15100-00-94	CRANKCASE ASS'Y	1		} 15AS ~ 02980 L ~ 34445 15AKS ~ 00460 L ~ 30670	
	652-15100-00-94	CRANKCASE ASS'Y		1		
1- 2	651-15100-60-94	CRANKCASE ASS'Y	1		} 15AS-02981 ~ 06760 L-34446 ~ 38700 15AKS-00461 ~ 00900 L-30671 ~ 31270	
	652-15100-60-94	CRANKCASE ASS'Y		1		
1- 3	624-14485-00	. PIPE, joint	1	1	}	
1- 4	650-14485-02	. PIPE, joint	1	1		
1- 5	651-15100-61-94	CRANKCASE ASS'Y	1		}	
	652-15100-61-94	CRANKCASE ASS'Y		1		
1- 6	624-14485-00	. PIPE, joint	1	1	}	
1- 7	650-11370-00	. CHECK VALVE ASS'Y	1	1		
1- 8	624-11379-00	. . VALVE, check l	1	1	} 15AS-06761 ~ 12755 L-38701 ~ 44360 15AKS-00901 ~ 01430 L-32171 ~ 32225	
1- 9	650-14485-02	. PIPE, joint	1	1		
1-10	624-11370-00	. CHECK VALVE ASS'Y	1	1	}	
1-11	624-11375-00	. . NIPPLE, hose l	1	1		
1-12	624-11379-00	. . VALVE, check l	1	1	}	
1-13	91830-22016	PIN, dowel A (8.4-12-16)	2	2		
1-14	91830-21014	PIN, dowel A (6.4-10-14)	1	1	}	
1-15	97318-08055	BOLT, hexagon	4	4		
1-16	97318-08045	BOLT, hexagon	2	2	}	
1-17	90201-08086	WASHER, plate (626-11174-00)	6	6		
1-18	97318-06040	BOLT, hexagon	4	4	}	
1-19	90201-06043	WASHER, plate (626-11176-00)	4	4		
1-20	90116-06123	BOLT, stud (647-13558-00)	1	1	}	
1-21	90116-06120	BOLT, stud (650-13558-00)	1	1		
1-22	624-14588-01	CONNECTOR	1	1	} 15AS-02980 ~ 06760 L-34446 ~ 38700 15AKS-00461 ~ 00900 L-30671 ~ 31270	
1-23	650-14588-01	CONNECTOR	1	1		
1-24	93501-08001	BALL (1/8 inch)	2	2		
1-25	90501-02223	SPRING, compression	2	2		

Fig. 1 CRANKCASE · CYLINDER

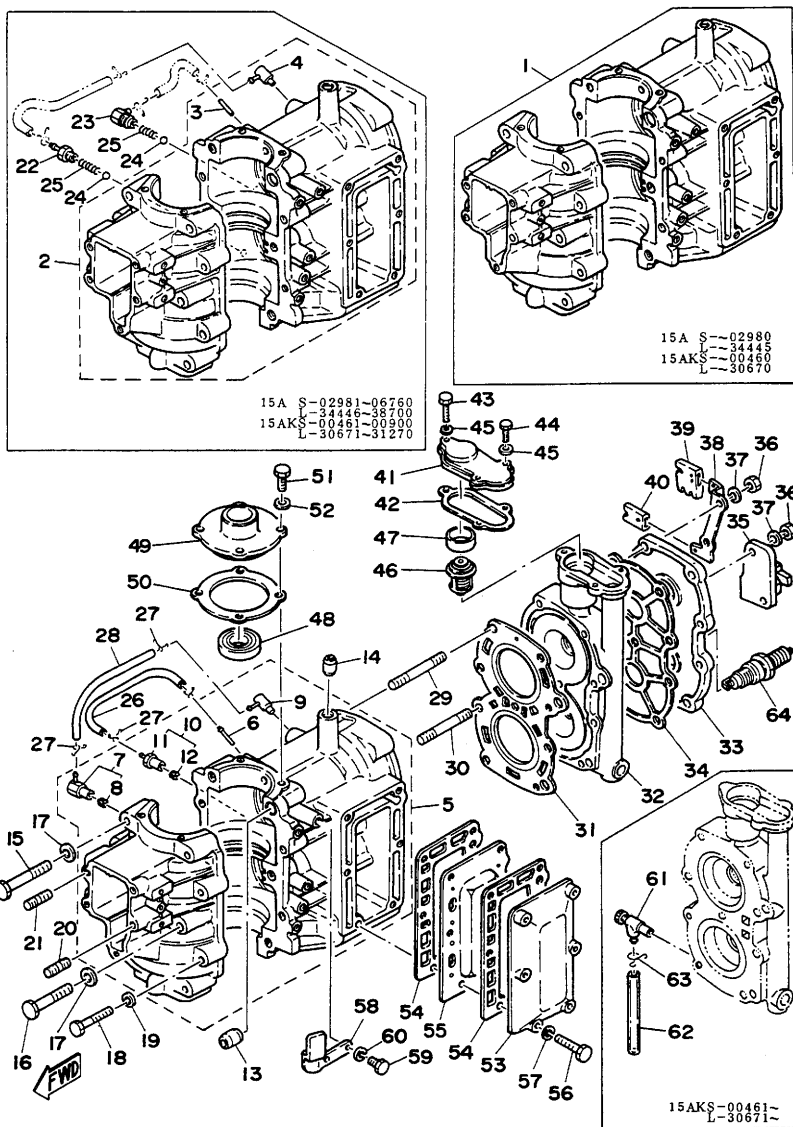




# CRANKCASE · CYLINDER

Ref. No.	Parts No.	Description	Q'ty		Applicable Machine No.	Remarks
			15A	15AK		
1-26	90445-07257	HOSE (2.5-7-50)	1	1		
1-27	90467-06016	CLIP	4	4		15AS-02981 ~ 12755 L-34445 ~ 44350 15AKS-00901 ~ 01430 L-31271 ~ 32225
1-28	90445-07258	HOSE (2.5-7-200)	1	1		
1-29	90116-07102	BOLT, stud (650-11361-00)	7	7		
1-30	90116-07126	BOLT, stud (650-11362-00)	2	2		
☆1-31	651-11181-01	GASKET, cylinderhead	1			15AS. ~ 12755 L-42987 ~ 44360 15AKS. ~ 01430 L. ~ 32225
☆	652-11181-00	GASKET, cylinderhead	1			
1-32	651-11111-01-94	HEAD, cylinder	1			
	652-11111-02-94	HEAD, cylinder	1			
1-33	626-11191-01-94	COVER, cylinderhead	1	1		15AS. ~ 12755 L. ~ 44360
☆1-34	626-11193-00	GASKET, head cover	1	1		
1-35	650-42811-00-94	STAY, clamp	1	1		
1-36	90170-07018	NUT, hexagon (650-11171-00)	9	9		15AS. ~ 12755 L. ~ 44360 15AKS. ~ 01430 L. ~ 32225
1-37	90201-07078	WASHER, plate (626-11175-00)	9	9		
1-38	650-82363-00	CLAMP, cord 3	1	1		15AS. ~ 12755 L. ~ 44360 15AKS. ~ 01430 L. ~ 32225
1-39	650-82355-00	GROMMET 1	1	1		
1-40	650-82356-00	GROMMET 2	1	1		
1-41	650-12413-00-94	COVER, thermostat	1	1		15AS. ~ 10070 L. ~ 42986 15AKS. ~ 01270 L. ~ 32145
	650-12413-01-94	COVER, thermostat	1	1		15AS-10071 ~ 12755 L-42987 ~ 44360 15AKS-01271 ~ 01430 L-32146 ~ 32225
☆1-42	626-12414-00	GASKET, cover	1	1		
1-43	97323-05020	BOLT, hexagon	1	1		
1-44	97323-05015	BOLT, hexagon	2	2		15AS. ~ 12755 L. ~ 44360
1-45	92903-05100	WASHER, spring	3	3		
1-46	656-12411-01	THERMOSTAT	1	1		
1-47	650-12418-00	RING, thermostat	1	1		15AS. ~ 10070 L. ~ 42986 15AKS. ~ 01270 L. ~ 32145
	90201-21567	WASHER, plate	1	1		15AS-10071 ~ L-42987 ~ 15AKS-01271 ~ L-32146 ~
1-48	93102-23096	OIL SEAL (SD-23-38-7)	1	1		
1-49	650-15359-00-94	HOUSING, oil seal	1	1		
☆1-50	626-15369-00	GASKET, oil seal housing	1	1		

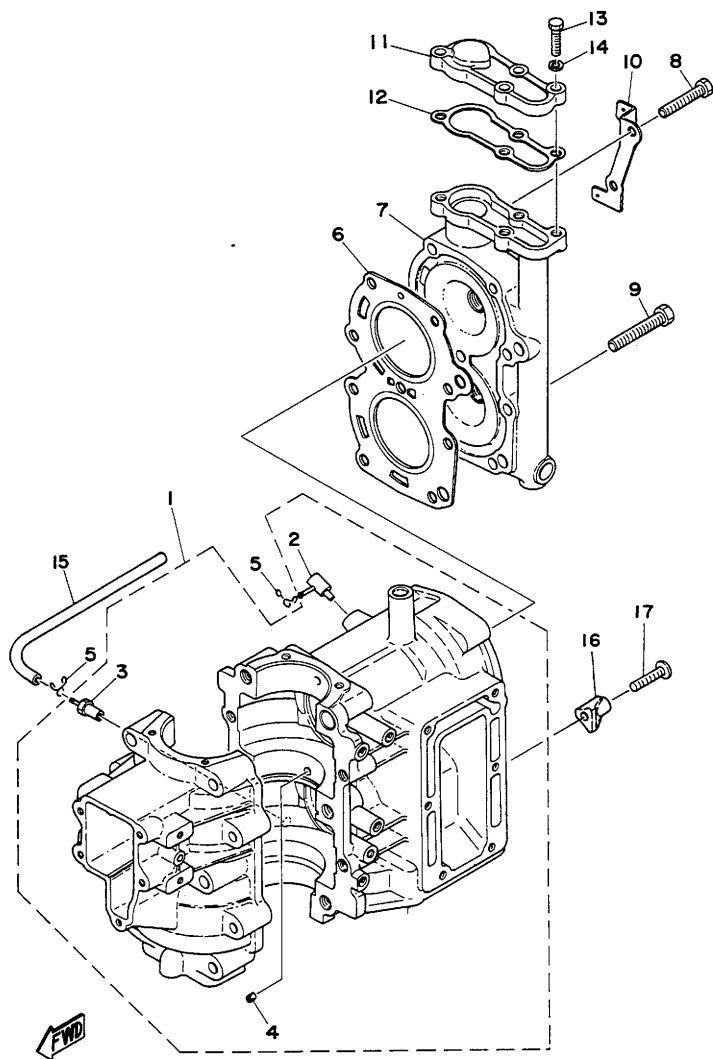
Fig. 1 CRANKCASE · CYLINDER



# CRANKCASE · CYLINDER

Ref. No.	Parts No.	Description	Q'ty		Applicable Machine No.	Remarks
			15A	15AK		
1-51	97323-06018	BOLT, hexagon	4	4		
1-52	92903-06600	WASHER, plate	4	4		
1-53	650-41113-00-94	OUTER COVER, exhaust	1	1		
☆ ★ 1-54	626-41112-01	GASKET, exhaust inner cover	2	2		
1-55	650-41111-01	INNER COVER, exhaust	1	1		
1-56	97323-06030	BOLT, hexagon	6	6		
1-57	92903-06100	WASHER, spring	6	6		
1-58	650-41616-01	STOPPER, magneto base	1	1		
1-59	97323-06015	BOLT, hexagon	2	2		
1-60	92903-06100	WASHER, spring	2	2		
1-61	652-24590-00	DRAIN COCK ASS'Y	1	1		} 15AKS-00461 ~ L-30671 ~
1-62	90445-09063	HOSE (630-24313-00 5-80)	1	1		
1-63	90467-08004	CLIP, pipe (616-24356-00)	1	1		
1-64	94701-00040	PLUG, spark (B-7HS)	2	2		
	94701-00069	PLUG, spark (B-5H)	2	2		

Fig. 2 CRANKCASE · CYLINDER ( 15AS-13356~ 15AKS-01431~ )  
L-45631~, L-32226~ )



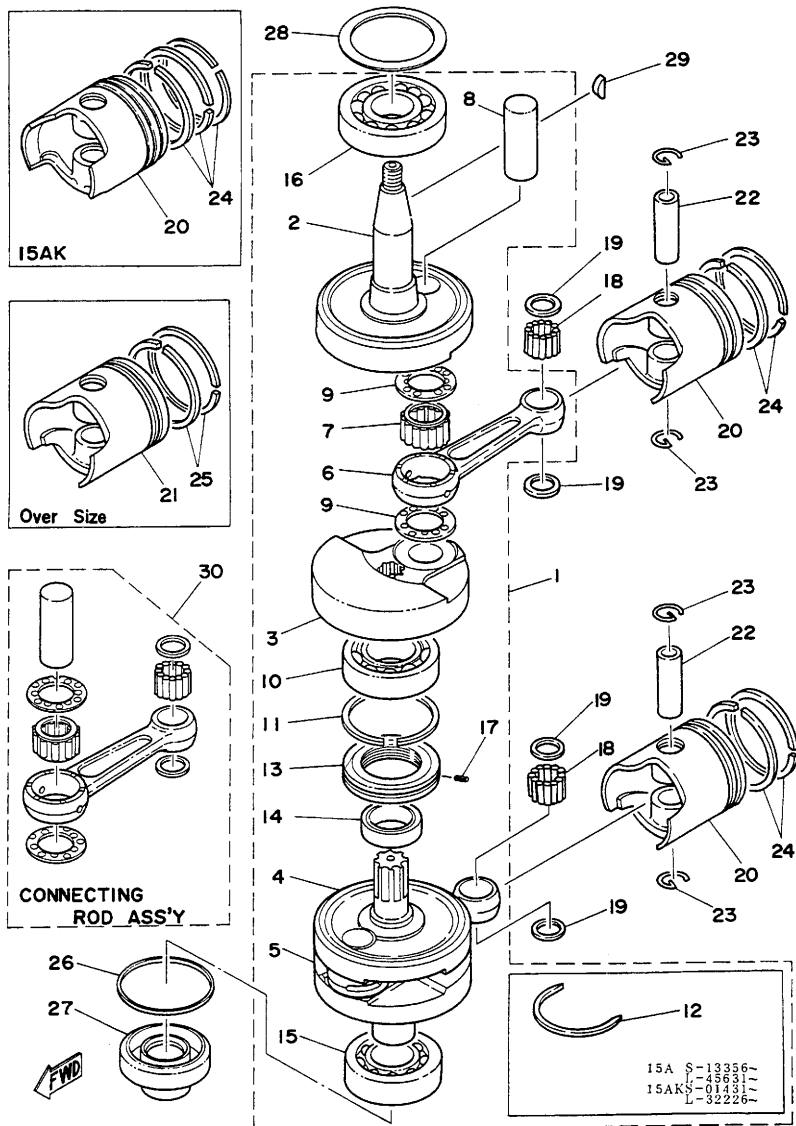
# CRANKCASE - CYLINDER

(15AS-13356~  
L-45631~,)

15AKS-01431~  
L-32226~)

Ref. No.	Parts No.	Description	Q'ty		Applicable Machine No.	Remarks
			15A	15AK		
2- 1	* 651-15100-62-94	CRANKCASE ASS'Y	1			
	* 652-15100-62-94	CRANKCASE ASS'Y		1		
2- 2	650-14485-02	. PIPE, joint	1	1		
2- 3	624-11970-00	. CHECK VALVE ASS'Y	1	1		
2- 4	* 624-11979-00	. VALVE, check	1	1		
2- 5	90467-06016	CLIP	2	2		
★2- 6	* 651-11181-02	GASKET, cylinderhead	1	*		
★	* 652-11181-01	GASKET, cylinderhead		1		
2- 7	* 651-11111-02-94	HEAD, cylinder	1			
2- 8	* 90101-07337	BOLT, hexagon	2	2		
2- 9	* 90101-07338	BOLT, hexagon	7	7		
2-10	* 650-82363-01	CLAMP, cord 3	1	1		
2-11	* 662-12413-02-94	COVER, thermostat	1			
★2-12	* 662-12414-00	GASKET, cover	1			
2-13	* 97323-06025	BOLT, hexagon	4			
2-14	* 92903-06100	WASHER, spring	4			
2-15	90445-07258	HOSE (2.5-7-200)	1	1		
2-16	* 650-11325-00	ANODE	1			
2-17	* 97890-05025	SCREW	1			

Fig. 3 CRANK · PISTON



# CRANK · PISTON

Ref. No.	Parts No.	Description	Q'ty		Applicable Machine No.	Remarks
			15A	15AK		
3- 1	650-11400-01	CRANK ASS'Y	1	1	{ 15AKS. ~01430 L. ~32225	
	* 652-11400-00	CRANK ASS'Y		1	{ 15AKS.~01431~ L.32226~	
3- 2	650-11412-01	. CRANK 1	1	1		
3- 3	626-11422-01	. CRANK 2	1	1		
3- 4	626-11432-01	. CRANK 3	1	1		
3- 5	626-11442-01	. CRANK 4	1	1		
3- 6	650-11651-01	. ROD, connecting	2	2	{ 15AS. ~12755 L. ~44360 15AKS. ~01430 L. ~32225	◇
	* 650-11651-02	. ROD, connecting		2	{ 15AS-13356~ L.45631~ 15AKS-01431~ L.32226~	
	* 652-11651-00	. ROD, connecting		2		
3- 7	93310-62059	. BEARING, con-rod big end	2	2		
3- 8	174-11681-00	. PIN, crank	2	2		
3- 9	90209-20159	. WASHER, crank pin	4	4		
3-10	93304-20503	. BEARING (B4205 special)	1	1		
3-11	93440-52009	. CIRCLIP (52φ special)	1	1	{ 15AS. ~12755 L. ~44360 15AKS. ~01430 L. ~32225	
3-12	◇ 93440-52056	. CIRCLIP (52φ special)	1	1	{ 15AS-13356~ L.45631~ 15AKS-01431~ L.32226~	
3-13	650-11515-00	. SEAL, labyrinth	1	1		
3-14	90387-25185	. COLLAR (650-11513-00)	1	1		
3-15	93306-30409	. BEARING (B6304 special)	1	1		
3-16	93306-20514	. BEARING (B6205 special)	1	1		
3-17	91609-25008	. PIN, spring	1	1		
3-18	93602-14104	BEARING, con-rod small end	50	50		
3-19	90201-14377	WASHER, plate (14.2-17.5-1.2)	4	4		
3-20	651-11631-01-96	PISTON (Standard 56.96mm)	}	U. R 2		
	651-11631-01-97	PISTON (Standard 56.97mm)				
	651-11631-01-98	PISTON (Standard 56.98mm)				
	652-11631-01-96	PISTON (Standard 56.96mm)	}	U. R 2		
	652-11631-01-98	PISTON (Standard 56.98mm)				





# CRANK · PISTON

Ref. No.	Parts No.	Description	Q'ty		Remarks
			15A	15AK	
3-21	651-11635-01	PISTON (Over Size 57.25mm) ...	2		
	651-11636-01	PISTON (Over Size 57.50mm) ...	2		
	652-11635-01	PISTON (Over Size 57.25mm) ...		2	
	652-11636-01	PISTON (Over Size 57.50mm) ...		2	
3-22	634-11633-00	PIN, piston .....	2	2	
3-23	93450-15023	CIRCLIP (131-11634-00) .....	4	4	
3-24	651-11610-00	PISTON RING SET (Standard) ....	2s		
	652-11610-00	PISTON RING SET (Standard) ....		2s	
3-25	651-11610-10	PISTON RING SET (Over Size 57.25mm) .....	2s		
	651-11610-20	PISTON RING SET (Over Size 57.50mm) .....	2s		
	652-11610-10	PISTON RING SET (Over Size 57.25mm) .....		2s	
	652-11610-20	PISTON RING SET (Over Size 57.50mm) .....		2s	
3-26	650-11562-00-03	SHIM, crank 2 (46-51.8-0.2) ...	U.N.U.N		
3-27	93102-20104	OIL SEAL (SD-20-45-12.5) .....	1	1	
3-28	650-11561-00-03	SHIM, crank 1 (47-56.8-0.3) ...	}	U.R.U.R	
	650-11561-00-04	SHIM, crank 1 (47-56.8-0.4) ...			
	650-11561-00-05	SHIM, crank 1 (47-56.8-0.5) ...			
3-29	90280-04006	KEY, woodruff (626-11545-00) ...	1	1	
<b>OPTIONAL PARTS</b>					
3-30	650-11650-00	CONNECTING ROD ASS'Y .....	2	2	

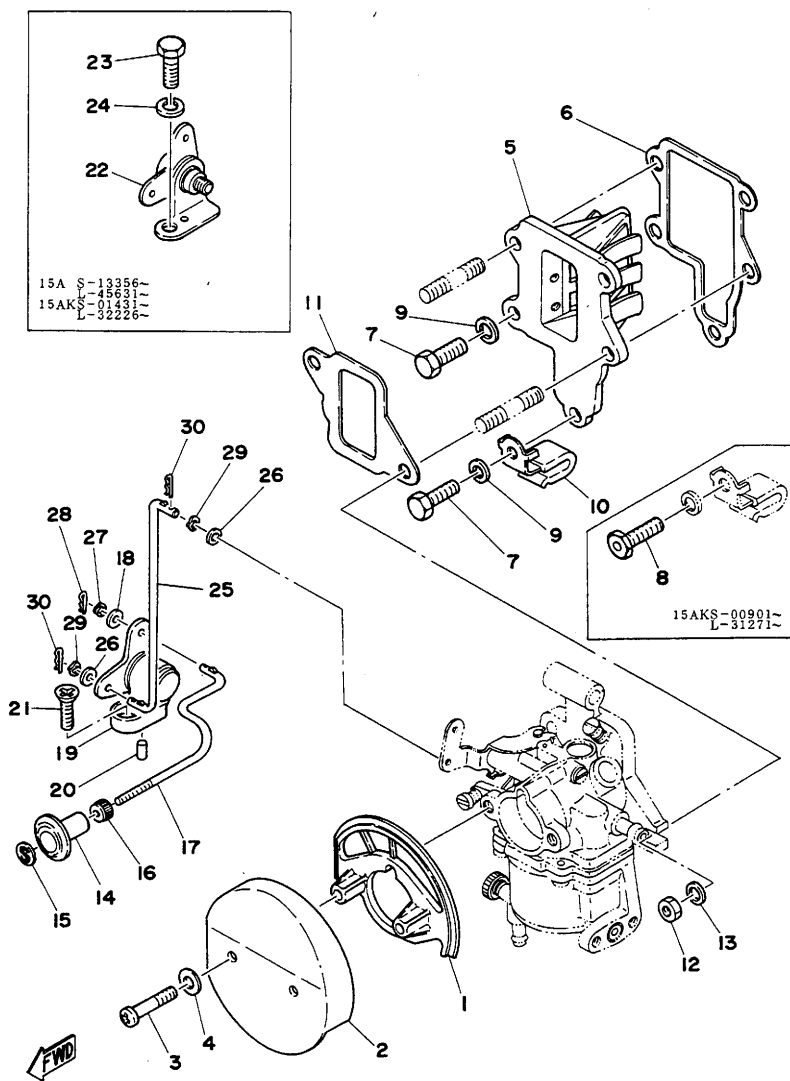
Ref. No.  
6, 7, 8, 9, 18, 19



# INTAKE

Ref. No.	Parts No.	Description	Q'ty		Applicable Machine No.	Remarks	
			15A	15AK			
4- 1	650-14431-01	SILENCER 1	1	1			
4- 2	650-14441-01	SILENCER 2	1	1			
4- 3	97803-05025	SCREW, panhead	2	2			
4- 4	92903-05600	WASHER, plate	2	2			
4- 5	651-13610-01	REED VALVE ASS'Y	1				
	652-13610-02	REED VALVE ASS'Y		1			
☆ 4- 6	650-13621-00	PACKING	1	1			
4- 7	97323-06018	BOLT, hexagon	3	3	} 15AKS-00900 L-31270		
	97323-06018	BOLT, hexagon		2		} 15AKS-00901 ~ L-31271 ~	
4- 8	90101-06128	BOLT, hexagon	1				
4- 9	92903-06100	WASHER, spring	3	3			
4-10	90465-10016	CLAMP, hose (650-11387-00)	1	1			
☆ 4-11	650-14198-00	GASKET	1	1			
4-12	95303-06700	NUT, hexagon	2	2			
4-13	92903-06600	WASHER, plate	2	2			
4-14	624-41271-00	KNOB, choke 1	1	1			
4-15	624-24156-00	INDICATOR, starter	1	1			
4-16	617-41272-01	KNOB, choke 2	1	1			
4-17	650-41257-00	ROD, choke link 2	1	1			
4-18	92903-04200	WASHER, plain	1	1			
4-19	650-41201-00	CHOKE LINK ASS'Y	1	1	} 15AS-12755 L-44360 15AKS-01430 L-32225		
4-20	93606-08047	PIN, dowel B (6-7.5)	1	1			
4-21	92203-06015	SCREW, flathead	1	1			
4-22	* 650-41201-01-94	CHOKE LINK ASS'Y	1	1	} 15AS-13356 ~ L-45631 ~ 15AKS-01431 ~ L-32226 ~		
4-23	* 97303-06010	BOLT, hexagon	1	1			
4-24	* 92903-06100	WASHER, spring	1	1			
4-25	650-41256-02	ROD, choke link	1	1			
4-26	92903-03200	WASHER, plain	2	2			
4-27	90206-04001	WASHER, wave	1	1			

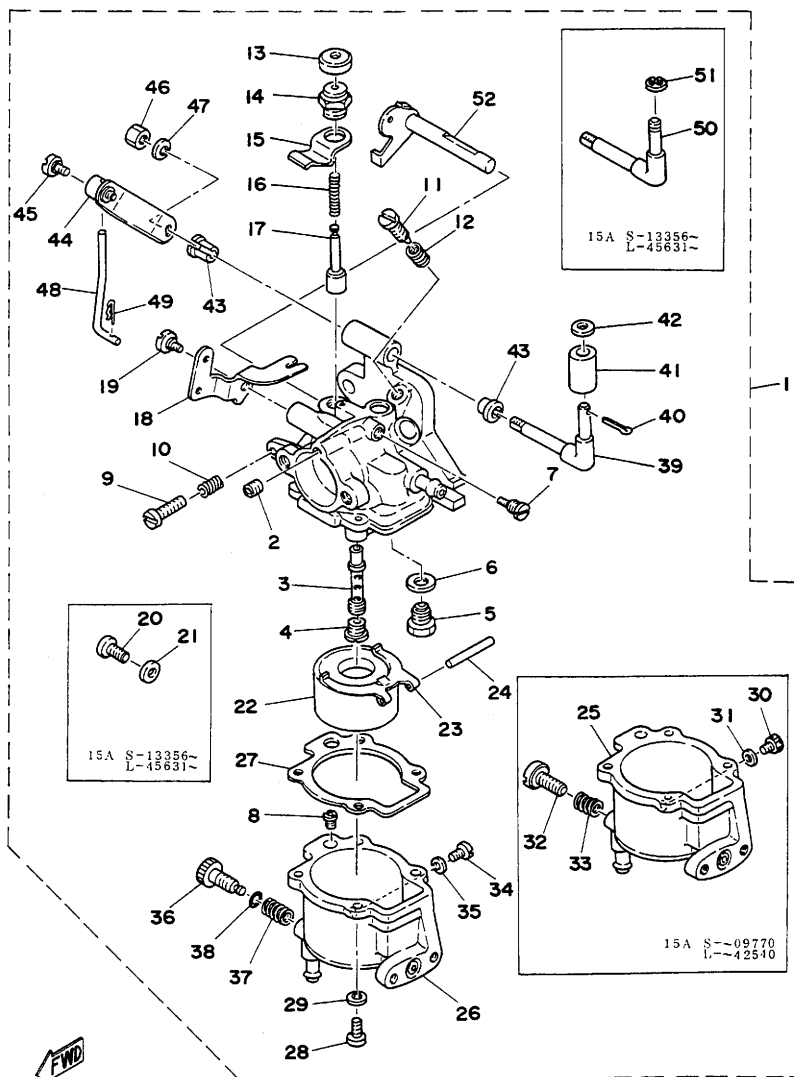
Fig. 4 INTAKE



# INTAKE

Ref. No.	Parts No.	Description	Q'ty		Applicable Machine No.	Remarks
			15A	15AK		
4-28	90468-10005	PIN, hair 1 (626-41235-00)	.....	1	1	
4-29	90206-03002	WASHER, wave	.....	2	2	
4-30	90468-10004	CLIP (626-41236-00)	.....	2	2	

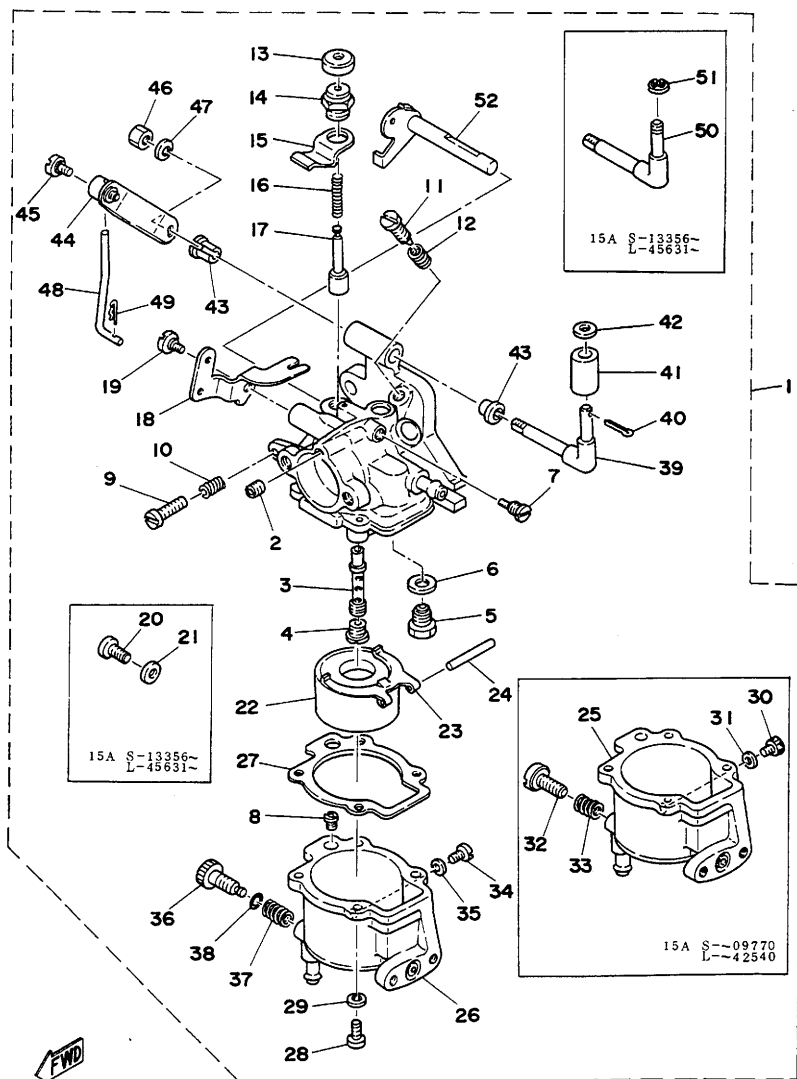
Fig. 5 CARBURETOR (15A)



# CARBURETOR (15A)

Ref. No.	Parts No.	Description	Q'ty 15A	Applicable Machine No.	Remarks
5- 1	651-14301-05	CARBURETOR ASS'Y	1		
5- 2	648-14347-00	. AIR JET, slow (1.6ϕ)	1		
5- 3	651-14341-00	. NOZZLE, main (2.5ϕ x 2.0ϕ)	1		
5- 4	648-14343-62	. JET, main (#125)	1		
5- 5	626-14390-12	. VALVE SEAT ASS'Y	1	{15AS. ~ 12755 L. ~ 44360	◇
	⊙ 650-14390-12	. VALVE SEAT ASS'Y	1	{15AS-13356 ~ L. 45631 ~	
5- 6	626-14398-00	. GASKET	1		
5- 7	648-14342-26	. JET, pilot (#52)	1		
5- 8	648-14344-35	. JET, starter (0.8ϕ)	1		
5- 9	650-14321-00	. SCREW, throttle	1		
5-10	626-14333-00	. SPRING, throttle stop	1		
5-11	648-14323-00	. SCREW, air adjusting	1		
5-12	648-14334-00	. SPRING, air adjusting	1		
5-13	626-14373-00	. COVER, plunger cap	1		
5-14	626-14374-00	. CAP, plunger	1		
5-15	626-14378-00	. PLATE, starter lever	1		
5-16	626-14335-00	. SPRING, plunger	1		
5-17	626-14371-00	. PLUNGER, starter	1		
5-18	626-14376-00	. LEVER, starter 2	1		
5-19	98501-05010	. SET SCREW, starter lever	1	{15AS. ~ 12755 L. ~ 44360	
5-20	⊙ 650-14327-00	. SET SCREW, starter lever	1	}15AS-13356 ~ L. 45631 ~	
5-21	⊙ 650-14349-00	. COLLAR	1		
5-22	626-14385-00	. FLOAT	1		
5-23	626-14387-00	. ARM, float	1		
5-24	626-14386-00	. PIN, float	1		
5-25	650-14381-01	. BODY, float chamber	1	{15AS. ~ 09770 L. ~ 42540	
5-26	650-14381-02	. BODY, float chamber	1	{15AS-09771 ~ L. 42541 ~	
☆5-27	650-14384-00	. GASKET, float chamber	1		

Fig. 5 CARBURETOR (15A)

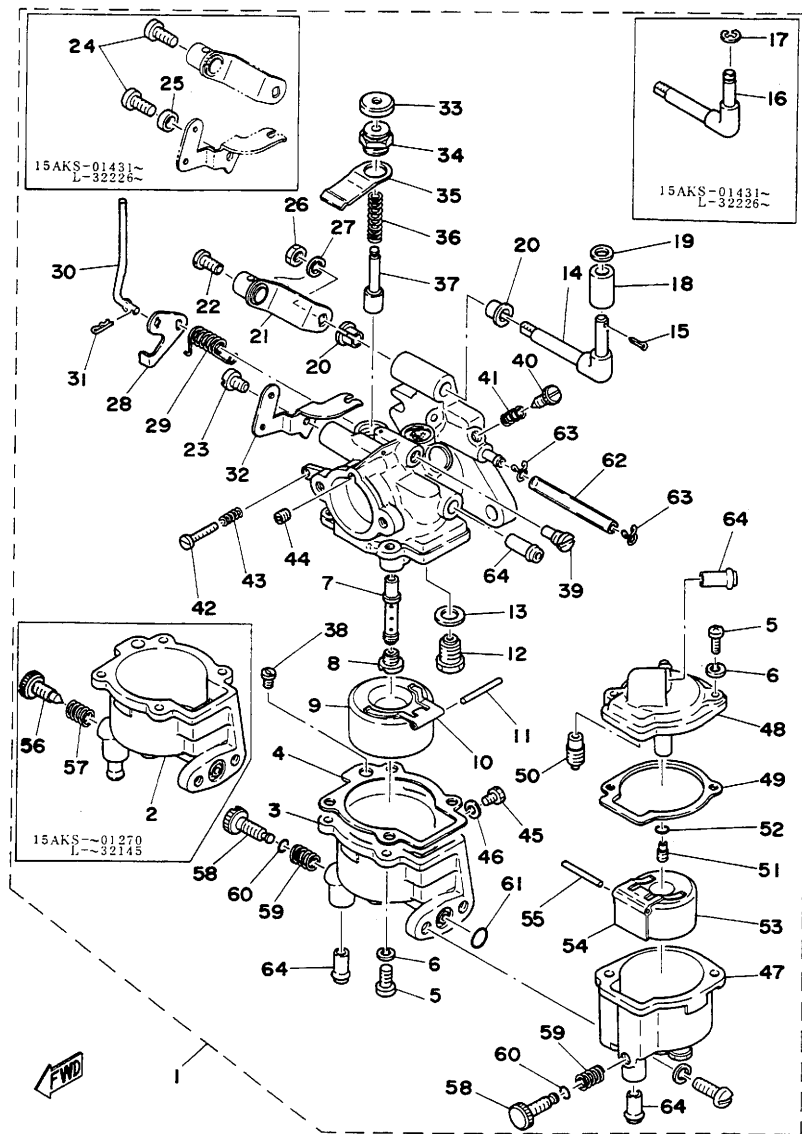




# CARBURETOR (15A)

Ref. No.	Parts No.	Description	Q'ty 15A	Applicable Machine No.	Remarks
5-28	98503-04010	. SCREW, panhead	4		
5-29	92990-04100	. WASHER, spring	4		
5-30	650-14222-00	. VALVE, drain	1	} 15AS ~03295 L ~34965	
5-31	650-14227-00	. PACKING 1	1		
5-32	650-14394-01	. VALVE, drain	1	} 15AS ~09770 L ~42540	
5-33	650-14223-00	. SPRING, drain valve	1		
5-34	650-14222-01	. VALVE, drain	1	} 15AS-03296 ~ L-34965 ~	
5-35	650-14227-01	. PACKING 1	1		
5-36	646-14394-00	. VALVE, drain	1	} 15AS-09771 ~ L-42541 ~	
5-37	646-14223-01	. SPRING, drain valve	1		
5-38	646-14397-00	. O-RING	1		
5-39	648-41216-00	. SHEAVE SHAFT, accel-link	1	} 15AS ~13355 L ~45630	
5-40	91490-12008	. PIN, cotter	1		
5-41	90387-05010	. COLLAR (626-41231-01)	1		
5-42	92990-05200	. WASHER, plain	1		
5-43	90386-05002	. BUSHING (626-41291-00)	2		
5-44	648-41210-01	. ACCEL-ARM ASS'Y	1		
5-45	98303-05010	. SCREW, cylinderhead	1		
5-46	95303-05700	. NUT, hexagon	1		
5-47	92990-05100	. WASHER, spring	1		
5-48	648-41241-00	. ROD 1	1		
5-49	650-41236-00	. PIN, hair	1		
5-50	* 648-41216-01	. SHEAVE SHAFT, accel-link	1	} 15AS-13356 ~ L-45631 ~	
5-51	* 93430-04031	. CLIP (E-4)	1		
5-52	651-14315-01	. SHAFT, throttle	1		

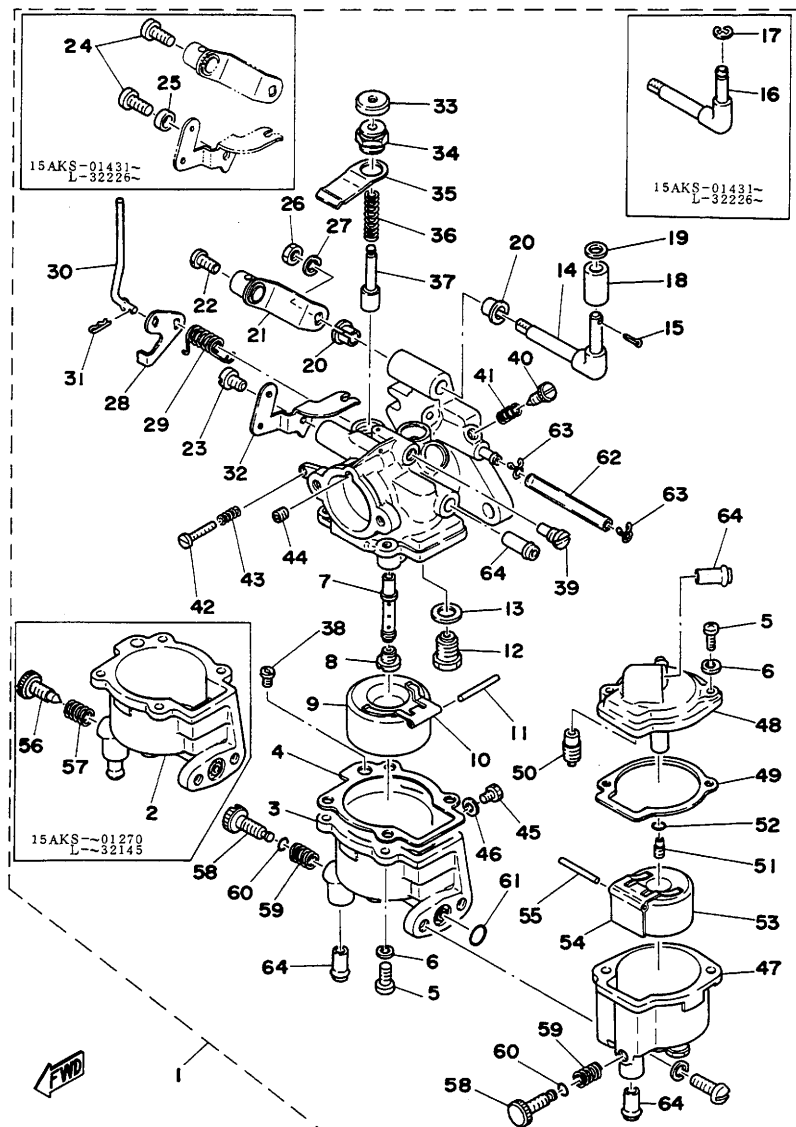
Fig. 6 CARBURETOR (15AK)



# CARBURETOR (15AK)

Ref. No.	Parts No.	Description	Q'ty 15AK	Applicable Machine No.	Remarks
6- 1	652-14301-04	CARBURETOR ASS'Y	1		
6- 2	652-14381-00	. BODY, float chamber	1	{15AKS-~01270 L~32145	
6- 3	652-14381-02	. BODY, float chamber	1	{15AKS-01271~ L-32146~	
★6- 4	650-14384-00	. GASKET, float chamber	1		
6- 5	92501-04010	. SCREW, panhead	6		
6- 6	92901-04100	. WASHER, spring	6		
6- 7	652-14321-00	. NOZZLE, main	1		
6- 8	648-14343-54	. JET, main (#108)	1		
6- 9	626-14385-00	. FLOAT	1		
6-10	626-14387-00	. ARM, float	1		
6-11	626-14386-00	. PIN, float	1		
6-12	626-14390-12	. VALVE SEAT ASS'Y	1	{15AKS-~01430 L~32225	
	* 650-14390-12	. VALVE SEAT ASS'Y	1	{15AKS-01431~ L-32226~	
6-13	626-14398-00	. GASKET	1		
6-14	648-41216-00	. SHEAVE SHAFT, accel-link	1	} 15AKS-~01430 L~32225	
6-15	91490-12008	. PIN, cotter	1		
6-16	* 648-41216-01	. SHEAVE SHAFT, accel-link	1	} 15AKS-01431~ L-32226~	
6-17	* 93430-04031	. CIRCLIP (E-4)	1		
6-18	626-41231-00	. COLLAR, guide pin	1		
6-19	92990-05200	. WASHER, plain	1		
6-20	90386-05002	. BUSHING (626-41291-00)	2		
6-21	648-41210-01	. ACCEL-ARM ASS'Y	1		
6-22	98501-05010	. SET SCREW, starter lever	1	} 15AKS-~01430 L~32225	
6-23	98303-05010	. SCREW, cylinderhead	1		
6-24	* 650-14327-00	. SET SCREW, starter lever	2	} 15AKS-01431~ L-32226~	
6-25	* 650-14349-00	. COLLOR	1		
6-26	95301-05700	. NUT, hexagon	1	{15AKS-~01430 L~32225	
	* 95340-05700	. NUT, hexagon	1	{15AKS-01431~ L-32226~	
6-27	92990-05100	. WASHER, spring	1		

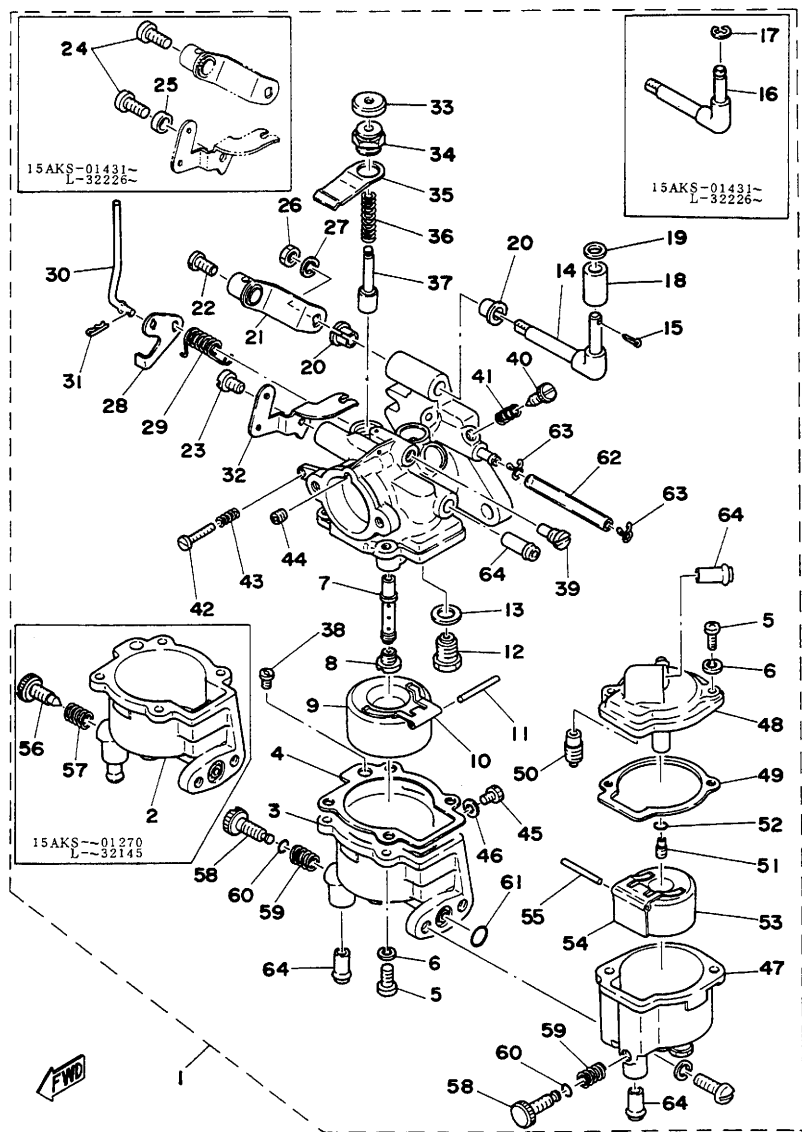
Fig. 6 CARBURETOR (15AK)



# CARBURETOR (15AK)

Ref. No.	Parts No.	Description	Q'ty 15AK	Applicable Machine No.	Remarks
6-28	650-14315-01	. LEVER, throttle	1		
6-29	648-14331-00	. SPRING throttle valve	1		
6-30	648-41241-00	. ROD 1	1		
6-31	650-41236-00	. PIN, hair	1		
6-32	626-14376-00	. LEVER, starter 2	1		
6-33	626-14373-00	. COVER, plunger cap	1		
6-34	626-14374-00	. CAP, plunger	1		
6-35	626-14378-00	. PLATE, starter	1		
6-36	626-14335-00	. SPRING, plunger	1		
6-37	626-14371-00	. PLUNGER, starter	1		
6-38	648-14394-40	. JET, starter (#80)	1		
6-39	648-14342-25	. JET, pilot (#50)	1		
6-40	648-14323-00	. SCREW, air adjusting	1		
6-41	648-14334-00	. SPRING, air adjusting	1		
6-42	650-14321-00	. SCREW, throttle	1		
6-43	626-14333-00	. SPRING, throttle stop	1		
6-44	648-14347-50	. AIR JET, slow	1		
6-45	650-14222-01	. VALVE, drain	1		
6-46	650-14227-01	. PACKING 1	1		
6-47	652-14181-01	. BODY, float chamber	1		
6-48	652-14182-01	. COVER, float chamber	1		
☆6-49	652-14384-00	. GASKET, float chamber	1		
6-50	652-14390-10	. VALVE SEAT ASS'Y	1		
6-51	652-14353-25	. JET, pilot	1		
6-52	652-14147-00	. O-RING	1		{15AKS-01271~ L-32146~
6-53	652-14385-00	. FLOAT	1		
6-54	652-14387-00	. ARM, float	1		
6-55	652-14386-00	. PIN, float	1		

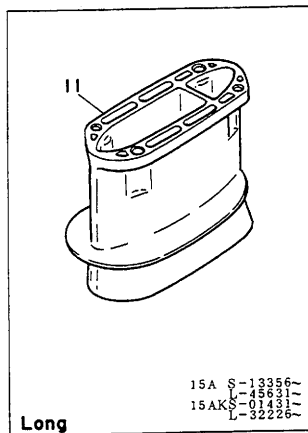
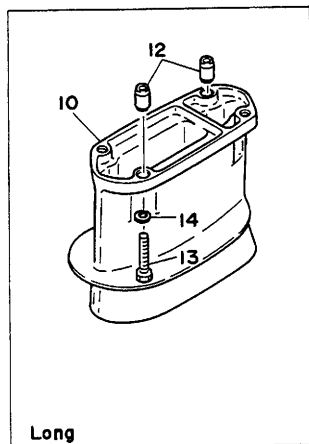
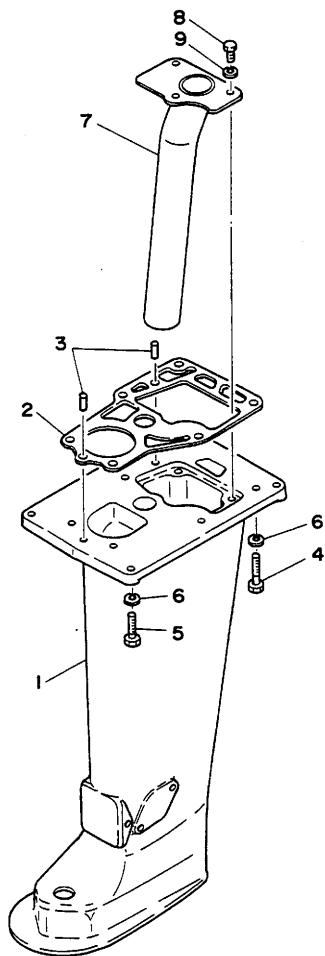
Fig. 6 CARBURETOR (15AK)



# CARBURETOR (15AK)

Ref. No.	Parts No.	Description	Q'ty 15AK	Applicable Machine No.	Remarks
6-56	650-14394-01	. VALVE, drain .....	2	} 15AKS-~01270 L-~32145	
6-57	650-14223-00	. SPRING, drain valve .....	2		
6-58	646-14394-00	. VALVE, drain .....	2	} 15AKS-01271~ L-32146~	
6-59	646-14223-01	. SPRING, drain valve .....	2		
6-60	646-14397-00	. O-RING .....	2		
6-61	652-14397-00	. O-RING .....	1		
6-62	652-14348-00	. PIPE .....	1		
6-63	652-24357-00	. CLIP, pipe 2 .....	2		
6-64	652-14349-00	. PIPE .....	4		

Fig. 7 UPPER CASING

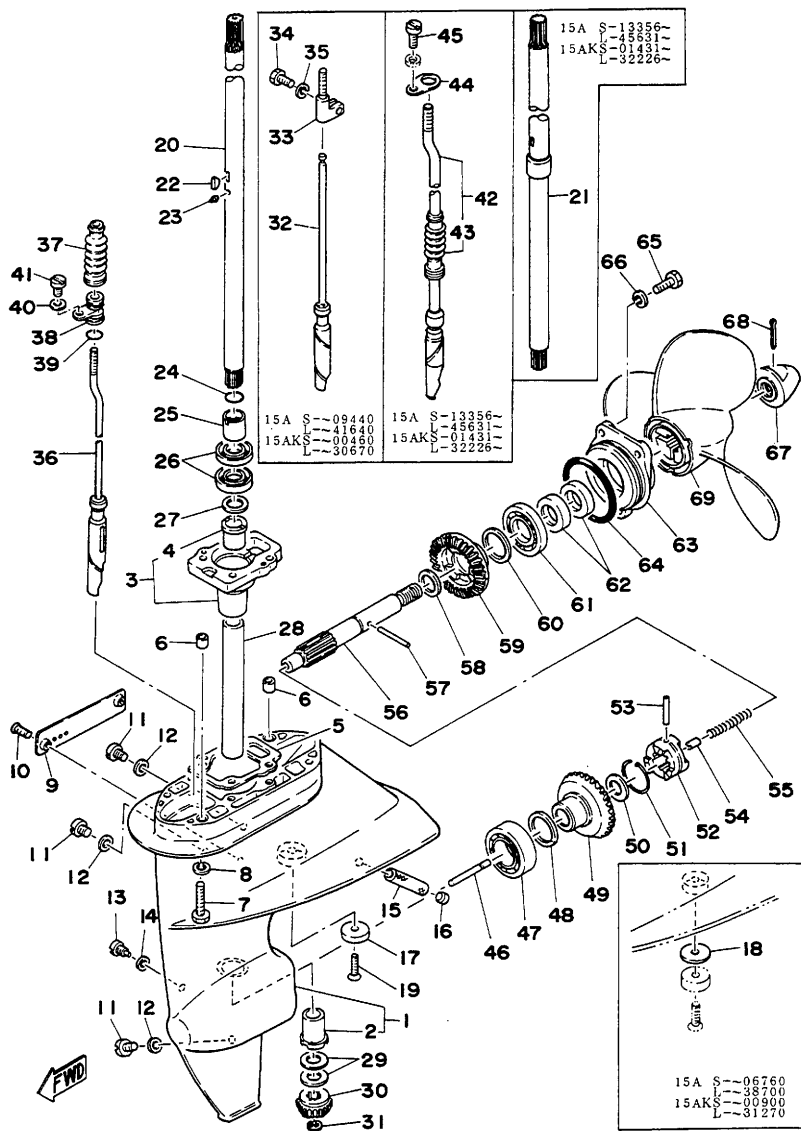




# UPPER CASING

Ref. No.	Parts No.	Description	Q'ty		Applicable Machine No.	Remarks
			15A	15AK		
7- 1	650-45111-01-F6	CASING, upper	1	1		Metallic Ocean Blue
☆7- 2	626-45113-01	GASKET, upper casing	1	1		
7- 3	93608-12063	PIN, dowel B (8-12)	2	2		
7- 4	97370-08030	BOLT, hexagon	10	10	15AS ~ 07240 L ~ 39555 15AKS ~ 00900 L ~ 31305	
	97370-08030	BOLT, hexagon	6	6		
7- 5	97370-08025	BOLT, hexagon	4	4	15AS-07241 ~ L-39556 ~ 15AKS-00901 ~ L-31306 ~	
7- 6	92990-08100	WASHER, spring	10	10		
7- 7	651-41131-03	MANIFOLD, exhaust 1	1	1		
7- 8	97370-05010	BOLT, hexagon	3	3		
7- 9	92990-05100	WASHER, spring	3	3		
7-10	650-45211-10-F6	EXTENSION (Long 139.7mm)	1	1	15AS ~ 12755 L ~ 44360 15AKS ~ 01430 L ~ 32225	Metallic Ocean Blue
7-11	650-45211-11-F6	EXTENSION (Long 141.7mm)	1	1		15AS-13356 ~ L-45631 ~ 15AKS-01431 ~ L-32226 ~
7-12	91890-04011	PIN, dowel A (8.4-11-11, Long)	2	2		
7-13	97370-08035	BOLT, hexagon (Long)	4	4		
7-14	92990-08100	WASHER, spring (Long)	4	4		

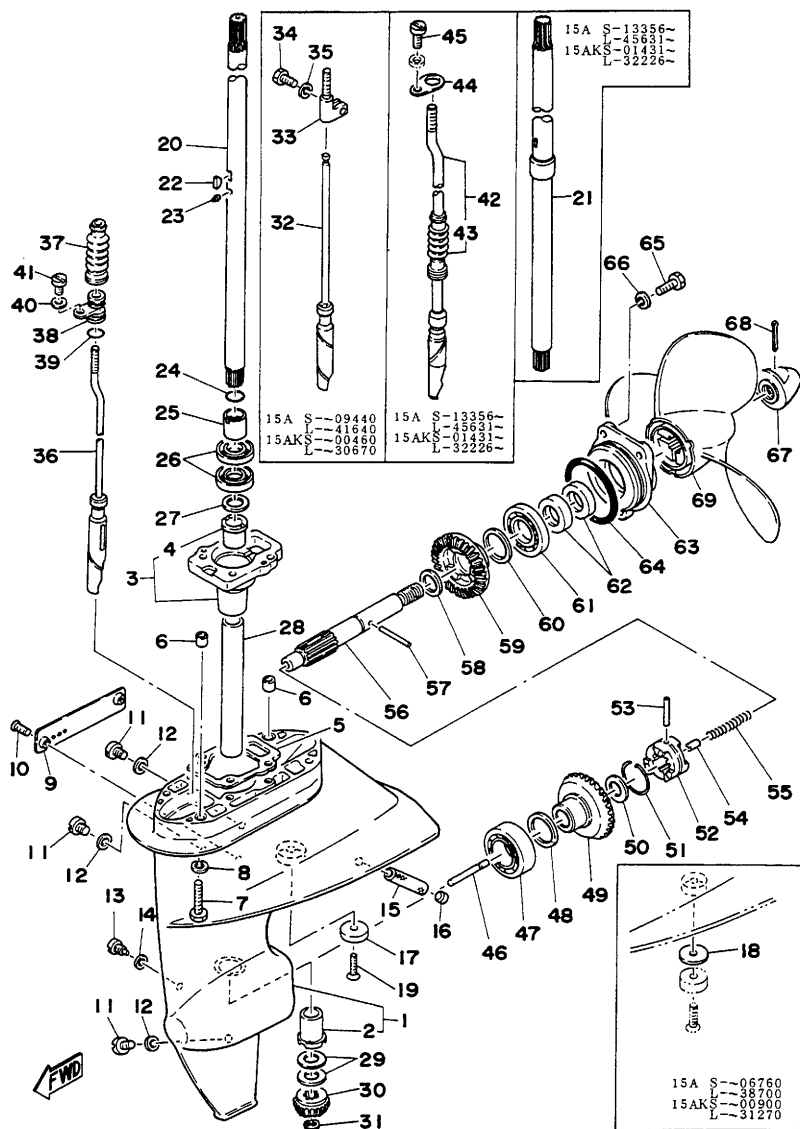
Fig. 8 LOWER CASING-DRIVE



# LOWER CASING DRIVE

Ref. No.	Parts No.	Description	Q'ty		Applicable Machine No.	Remarks
			15A	15AK		
8-1	650-45310-00-F6	LOWER CASING ASS'Y	1	1		Metallic Ocean Blue
8-2	626-45317-09	. BUSHING, drive shaft 2	1	1		
8-3	650-45330-00-94	BEARING HOUSING ASS'Y	1	1		
8-4	626-45316-09	. BUSHING, drive shaft 1	1	1		
◇ 8-5	650-45315-00	PACKING, lower casing	1	1		
8-6	91890-04011	PIN, dowel A (8.4-11-11)	2	2		
8-7	97370-08040	BOLT, hexagon	4	4		
8-8	92990-08100	WASHER, spring	4	4		
8-9	650-45214-00-F6	COVER, water inlet	1	1		Metallic Ocean Blue
8-10	98180-05015	SCREW, ovalhead	2	2		
8-11	90340-08014	PLUG (647-45341-00)	3	3		
◇ 8-12	90430-08020	GASKET (604-45342-00)	3	3		
8-13	90149-06003	SCREW, detent (626-44165-00)	1	1		
◇ 8-14	90430-06015	GASKET (626-44166-00)	1	1		
8-15	626-45215-00	COVER, water inlet 2	1	1		
8-16	90334-10008	PLUG, straight (626-45247-00)	1	1		
8-17	616-45251-30	ANODE	1	1		
8-18	616-45252-30	SEAT	1	1	15AS ~ 06760 L ~ 38700 15AKS ~ 90990 L ~ 31270	
8-19	92180-06018	SCREW, ovalhead	1	1		
8-20	650-45511-00	SHAFT, drive 1 (Standard 662mm)	1	1	15AS ~ 12755 L ~ 44360 15AKS ~ 01430 L ~ 32225	▽
	650-45511-10	SHAFT, drive 1 (Long 802mm)	1	1		
8-21	* 650-45501-00	DRIVE SHAFT COMP. (Standard 662mm)	1	1	15AS-13356~ L-45631~ 15AKS-01431~ L-32226~	
	* 650-45501-10	DRIVE SHAFT COMP. (Long 802mm)	1	1		
■ 8-22	90280-03024	KEY, woodruff	1	1		
8-23	90249-04023	PIN (626-45524-00)	1	1		
◇ 8-24	93210-14106	O-RING (1.9-14)	1	1	15AS ~ 12755 L ~ 44360 15AKS ~ 01430 L ~ 32225	
8-25	626-45526-00	COLLAR, drive shaft (17-20-21)	1	1		
8-26	93101-20048	OIL SEAL (S-20-30-6)	2	2		

Fig. 8 LOWER CASING DRIVE



# LOWER CASING DRIVE

Ref. No.	Parts No.	Description	Q'ty		Applicable Machine No.	Remarks
			15A	15AK		
8-27	626-45534-00-04	THRUST WASHER, drive shaft 2	U.R	U.R		
8-28	90387-16125	COLLAR (650-45526-00) .....	1	1		
8-29	626-45533-01-11	THRUST WASHER (13-26-1.1)	} U.R	} U.R	} 2	} 2
	626-45533-01-12	THRUST WASHER (13-26-1.2)				
	626-45533-01-13	THRUST WASHER (13-26-1.3)				
	626-45533-01-14	THRUST WASHER (13-26-1.4)				
8-30	626-45551-00	PINION (13T) .....	1	1		
8-31	93430-07012	CIRCLIP (E-7) .....	1	1		
8-32	650-44150-00	SHIFT CAM ASS'Y (Standard 272.5mm) .....	1	1		
	650-44150-10	SHIFT CAM ASS'Y (Long 412mm)	1	1		
8-33	650-44145-00	CONNECTOR, shift rod 1 .....	1	1	} 15AS ~ 09440 L ~ 41640 15AKS ~ 00460 L ~ 30670	
8-34	97370-06015	BOLT, hexagon .....	1	1		
8-35	92990-06100	WASHER, spring .....	1	1		
8-36	650-44150-01	SHIFT CAM ASS'Y (Standard 315.5mm) .....	1	1		
	650-44150-11	SHIFT CAM ASS'Y (Long 455mm)	1	1		
8-37	647-44147-00	BOOT, shift rod .....	1	1	} 15AS-09441 ~ 12755 L-41641 ~ 44360 15AKS-00461 ~ 01430 L-30671 ~ 32225	
8-38	650-44152-01	BUSHING, shift cam .....	1	1		
◇8-39	93210-14104	O-RING (2.4-13.8) .....	1	1		
8-40	92990-06600	WASHER, plate .....	1	1		
8-41	92590-06010	SCREW, panhead .....	1	1	} 15AS-03295 L ~ 34965 15AKS ~ 00460 L ~ 30670	
	92380-06012	SCREW, cylinderhead .....	1	1		
8-42	* 650-44150-02	SHIFT CAM ASS'Y (Standard 315.5mm) .....	1	1		
	* 650-44150-12	SHIFT CAM ASS'Y (Long 455mm)	1	1		
8-43	* 650-44147-00	. BOOT, shift rod .....	1	1	} 15AS-13356 ~ L-45631 ~ 15AKS-01431 ~ L-32226 ~	
8-44	* 650-45321-00	PLATE .....	1	1		
8-45	* 92380-06010	SCREW, cylinderhead .....	1	1		
8-46	650-45635-00	PLUNGER, shift .....	1	1		
8-47	93306-20501	BEARING (B6205) .....	1	1		



# LOWER CASING DRIVE

Ref. No.	Parts No.	Description	Q'ty		Applicable Machine No.	Remarks
			15A	15AK		
8-48	626-45577-00-01	SHIM, gear adjust (25.3-32-0.1)	}	U.R	U.R	
	626-45577-00-03	SHIM, gear adjust (25.3-32-0.3)				
	626-45577-00-05	SHIM, gear adjust (25.3-32-0.55)				
8-49	626-45560-01	GEAR 1 ASS'Y (27T)	1	1		
8-50	90201-14213	WASHER, plate (626-45566-00)	1	1		
8-51	611-45633-00	RING, cross pin	1	1		
8-52	650-45631-00	CLUTCH, dog	1	1		
8-53	90250-05010	PIN, straight (648-45632-00)	1	1		
8-54	648-45634-00	SLIDE, shift	1	1		
8-55	90501-10064	SPRING (616-45636-00)	1	1		
8-56	650-45611-00	SHAFT, propeller	1	1		
8-57	90250-05011	PIN, straight (648-45615-00)	1	1		
8-58	90201-17251	WASHER, plate (626-45576-00)	1	1		
8-59	650-45570-00	GEAR 2 ASS'Y (27T)	1	1		
8-60	650-45567-00-10	SHIM, gear adjust 1 (17-26-1.0)	}	U.R	U.R	
	650-45567-00-12	SHIM, gear adjust 1 (17-26-1.2)				
	650-45567-00-14	SHIM, gear adjust 1 (17-26-1.4)				
8-61	93306-20309	BEARING (B6203)	1	1		
8-62	93101-17054	OIL SEAL (S-17-30-6)	2	2		
8-63	650-45361-00-F6	CAP, lower casing	1	1		
	* 650-45361-01-F6	CAP, lower casing	1	1		
8-64	93210-58144	O-RING (3.1-58.4)	1	1		
8-65	97370-06020	BOLT, hexagon	3	3		
8-66	92990-06100	WASHER, spring	3	3		
8-67	626-45616-01	NUT, propeller	1	1		
	* 650-45616-00	NUT, propeller	1	1		
8-68	91490-30030	PIN, cotter	1	1		

15AS ~ 12755  
 L ~ 44360  
 15AKS ~ 01430  
 L ~ 32226  
 15AS-13356 ~  
 L-45631 ~  
 15AKS-01431 ~  
 L-32226 ~

Metallic  
 Ocean Blue

Metallic  
 Ocean Blue

15AS ~ 12755  
 L ~ 44360  
 15AKS ~ 01430  
 L ~ 32226  
 15AS-13356 ~  
 L-45631 ~  
 15AKS-01431 ~  
 L-32226 ~

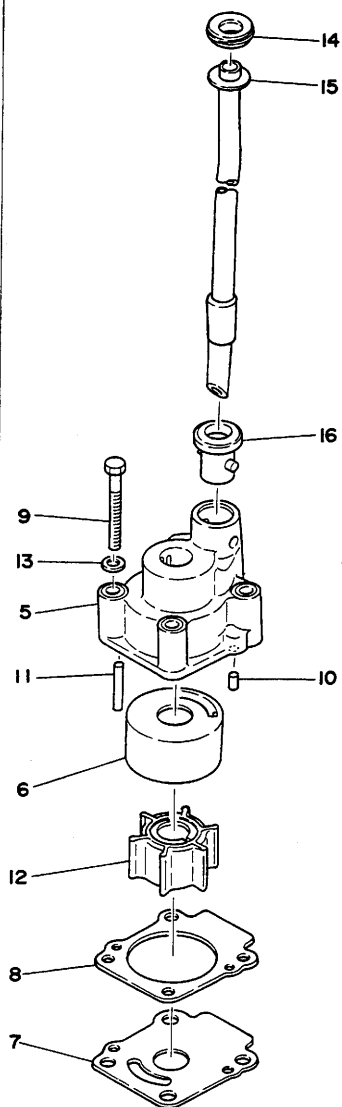
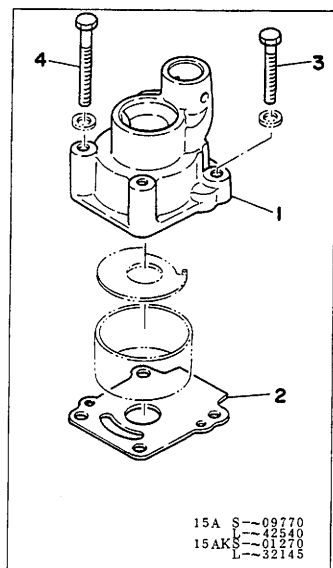




# LOWER CASING DRIVE

Ref. No.	Parts No.	Description	Q'ty 15A 15AK	Applicable Machine No.	Remarks
8-69	626-45926-01-38	PROPELLER ASS'Y 8 (2 x 9 1/4 x 6 1/2 -D) .....			
	626-45943-02-36	PROPELLER ASS'Y 2 (3 x 9 1/4 x 10 1/4 -D) .....			White
	626-45945-01-36	PROPELLER ASS'Y 3 (3 x 9 1/4 x 6 1/2 -D) .....			White
	626-45949-01-36	PROPELLER ASS'Y 5 (3 x 9 1/4 x 9 -D) .....			White
	650-45941-01-36	PROPELLER ASS'Y 1 (3 x 9 1/4 x 8 -D) .....		U.R U.R 1 1	White
	650-45943-01-36	PROPELLER ASS'Y 2 (3 x 9 1/4 x 7 -D) .....			White
	650-45945-00-36	PROPELLER ASS'Y 3 (3 x 9 1/4 x 5 -D) .....			White
	651-45947-00-36	PROPELLER ASS'Y 4 (3 x 9 1/4 x 10 -D) .....			White
	653-45941-01-36	PROPELLER ASS'Y 1 (3 x 9 1/4 x 11 1/4 -D) .....			White

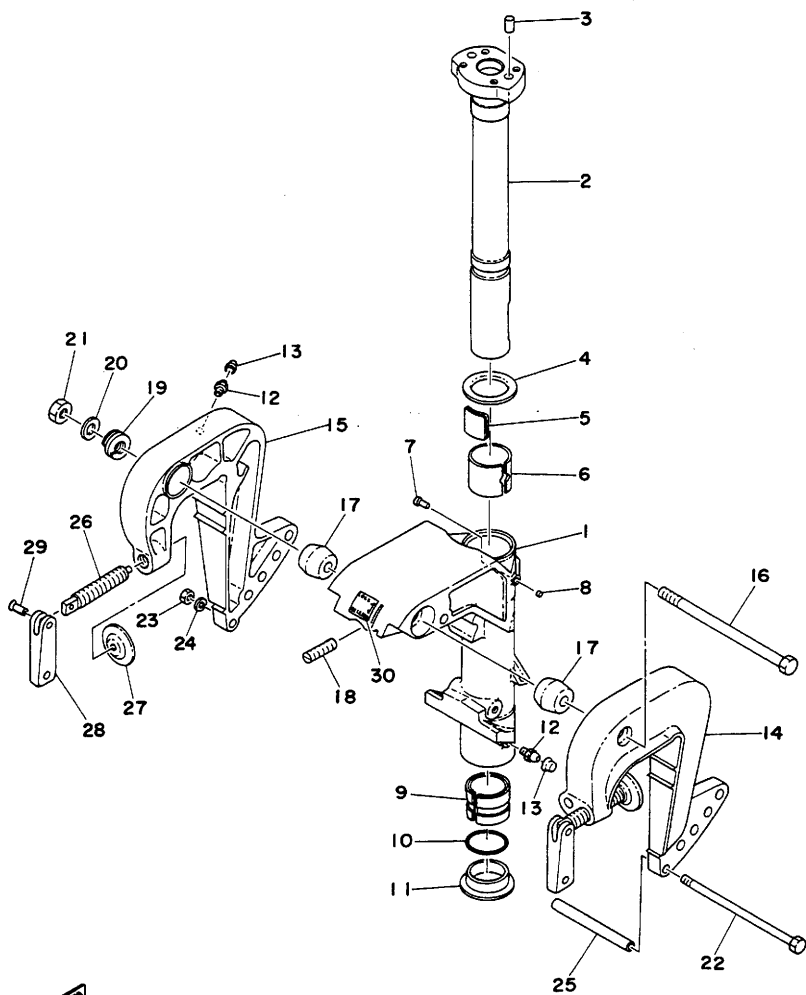
Fig. 9 WATER PUMP



# WATER PUMP

Ref. No.	Parts No.	Description	Q'ty		Applicable Machine No.	Remarks
			15A	15AK		
□ 9- 1	650-44301-00-94	WATER PUMP HOUSING COMP.	1	1		} 15AS-~09770 L~42540 15AKS-~01270 L~32145
□ 9- 2	650-44323-00	OUTER PLATE, cartridge	1	1		
□ 9- 3	97370-06035	BOLT, hexagon	2	2		
□ 9- 4	97370-06050	BOLT, hexagon	2	2		
9- 5	650-44311-00	HOUSING, water pump	1	1		} 15AS-09771~ L-42541~ 15AKS-01271~ L-32146~
■ 9- 6	650-44322-01	INSERT, cartridge	1	1		
■ 9- 7	650-44323-01	OUTER PLATE, cartridge	1	1		
◆ 9- 8	650-44315-00	GASKET, water pump	1	1		
■ 9- 9	97370-06050	BOLT, hexagon	4	4		
9-10	93604-08062	PIN dowel B (4-8)	1	1		
9-11	93604-25085	PIN, dowel B (4-24)	1	1		
□ 9-12	662-44352-00	IMPELLER	1	1		
9-13	92990-06600	WASHER, plate	4	4		
★ 9-14	648-44365-01	RUBBER, water seal 1	1	1		} 15AS-~03295 L~34965  } 15AS-03296~ L-34966~  } 15AKS-~00900 L~31270  } 15AKS-00901~ L-31271~
9-15	650-44361-00	TUBE, water 1 (Standard 365mm)	1			
	650-44361-10	TUBE, water 1 (Long 505mm)	1			
	650-44361-01	TUBE, water 1 (Standard 365mm)	1			
	650-44361-11	TUBE, water 1 (Long 505mm)	1			
	652-44361-00	TUBE, water 1 (Standard 365mm)	1			
	652-44361-10	TUBE, water 1 (Long 505mm)	1			
	652-44361-01	TUBE, water 1 (Standard 365mm)	1			
	652-44361-11	TUBE, water 1 (Long 505mm)	1			
□ 9-16	626-44365-01	RUBBER, water seal 1	1	1		

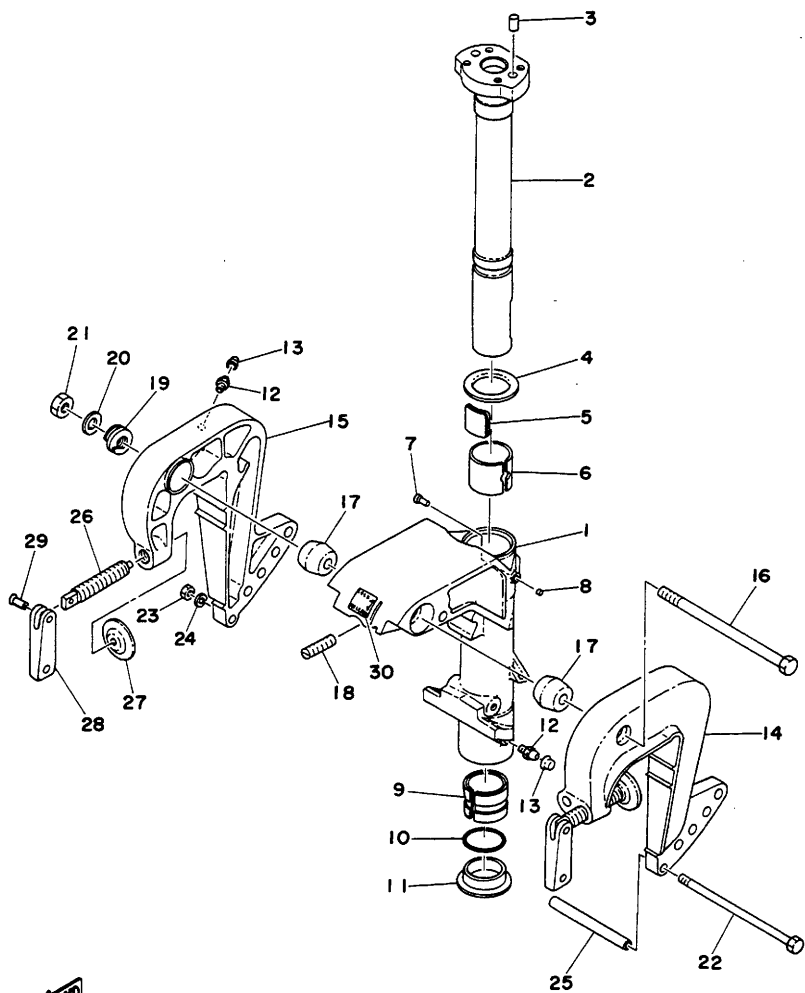
Fig.10 BRACKET



# BRACKET

Ref. No.	Parts No.	Description	Q'ty		Applicable Machine No.	Remarks
			15A	15AK		
10- 1	626-43311-09-F6 BRACKET, swivel 1	.....	1	1	15AS. ~ 03295 L ~ 34965 15AKS. ~ 00460 L ~ 30670 15AS-03296 ~ 06760 L-34966 ~ 38700 15AKS-00461 ~ 00900 L-30671 ~ 31270 15AS-06761 ~ L-38701 ~ 15AKS-00901 ~ L-31271 ~	Metallic Ocean Blue  Metallic Ocean Blue  Metallic Ocean Blue  Metallic Ocean Blue
	650-43311-00-F6 BRACKET, swivel 1	.....	1	1		
	650-43311-01-F6 BRACKET, swivel 1	.....	1	1		
10- 2	650-42521-00-F6 SHAFT, steering pivot 1	.....	1	1		Metallic Ocean Blue
10- 3	93608-12063 PIN, dowel B (8-12)	.....	2	2		
10- 4	90209-34015 WASHER (626-42535-01)	.....	1	1		
10- 5	626-42528-01 PIECE, friction	.....	1	1		
10- 6	90386-38036 BUSHING (626-42537-01)	.....	1	1		
10- 7	90241-03001 PIN, with head (626-43336-00)	...	1	1		
10- 8	90334-04002 PLUG, straight (626-43396-00)	..	1	1		
10- 9	90386-34034 BUSHING (626-42538-01)	.....	1	1		
10-10	93210-33133 O-RING (2.6-33.4)	.....	1	1		
10-11	90386-34064 BUSHING (626-42539-00)	.....	1	1		
10-12	93700-06004 NIPPLE, grease	.....	2	2		
10-13	626-45119-00 CAP, grease nipple	.....	2	2	15AS. ~ 09045 L ~ 41120 15AKS. ~ 01180 L ~ 31625 15AS-09046 ~ L-41221 ~ 15AKS-01181 ~ L-31626 ~	
	663-45119-00 CAP, grease nipple	.....	2	2		
10-14	626-43111-00-F6 BRACKET, clamp 1	.....	1	1	15AS. ~ 03295 L ~ 34965 15AKS. ~ 00460 L ~ 30670 15AS-03296 ~ L-34966 ~ 15AKS-00461 ~ L-30671 ~	Metallic Ocean Blue  Metallic Ocean Blue
	650-43111-00-F6 BRACKET, clamp 1	.....	1	1		
10-15	626-43112-00-F6 BRACKET, clamp 2	.....	1	1	15AS. ~ 03295 L ~ 34965 15AKS. ~ 00460 L ~ 30670 15AS-03296 ~ L-34966 ~ 15AKS-00461 ~ L-30671 ~	Metallic Ocean Blue  Metallic Ocean Blue
	650-43112-00-F6 BRACKET, clamp 2	.....	1	1		
10-16	90101-10077 BOLT, hexagon (626-43131-00)	..	1	1		
10-17	626-43136-00 PIECE, friction	.....	2	2		
10-18	90113-08024 BOLT, set	.....	1	1		
10-19	90504-59006 SPRING (626-43198-00)	.....	1	1		
10-20	90201-10130 WASHER, friction (615-43132-00)	.....	1	1		
10-21	95380-10600 NUT, hexagon	.....	1	1		
10-22	90116-06028 BOLT, hexagon (626-43143-00)	..	1	1	15AS. ~ 12755 L ~ 44360 15AKS. ~ 01430 L ~ 32235 15AS-13356 ~ L-45631 ~ 15AKS-01431 ~ L-32236 ~	
	* 90101-06336 BOLT, hexagon	.....	1	1		
10-23	95380-06600 NUT, hexagon	.....	1	1		

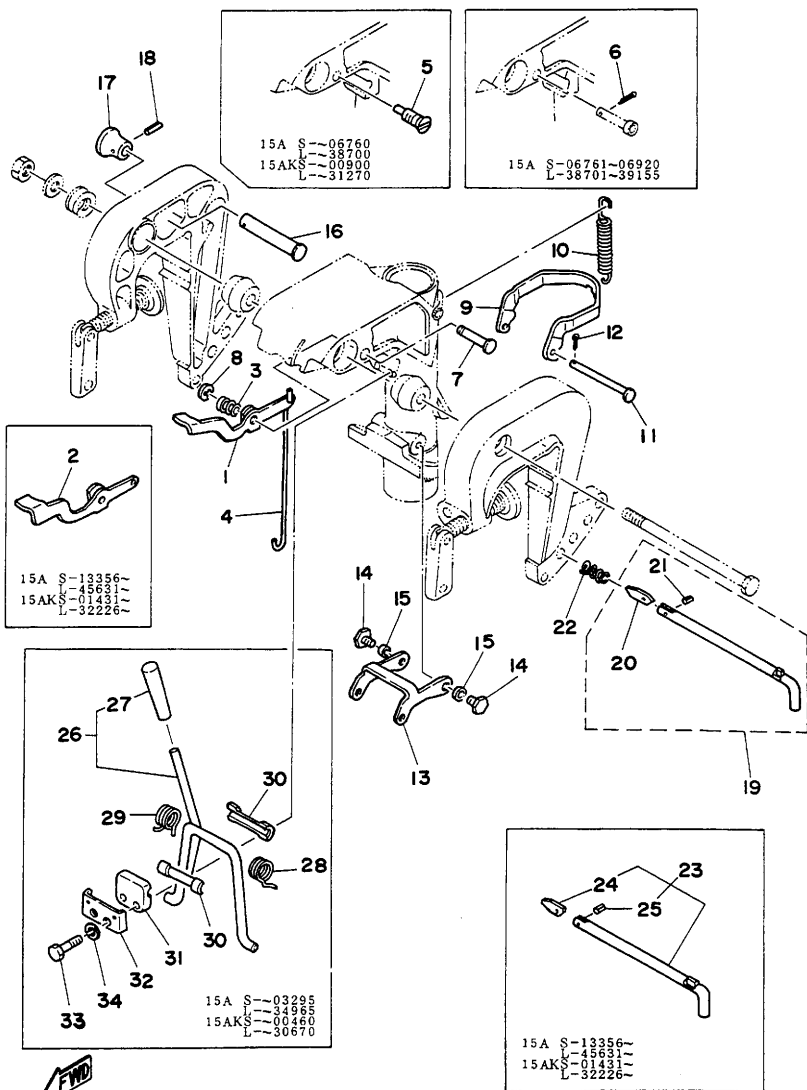
Fig.10 BRACKET



# BRACKET

Ref. No.	Parts No.	Description	Q'ty		Applicable Machine No.	Remarks
			15A	15AK		
10-24	92990-06100	WASHER, spring .....	1	1		
10-25	90560-06088	SPACER TUBE (626-43141-00) ...	1	1		
10-26	90149-12029	SCREW (620-43116-00) .....	2	2	{ 15AS-~03295 L-~34965 15AKS-~00460 L-~30670 15AS-03296~ L-34966~ 15AKS-00461~ L-30671~	
	90149-14030	SCREW (648-43116-00) .....	2	2		
10-27	648-43114-01	PAD, transom clamp .....	2	2		
10-28	616-43118-00-F6	HANDLE, transom clamp .....	2	2		Metallic Ocean Blue
10-29	90243-04001	PIN (620-43117-00) .....	2	2		
10-30	650-43691-01	INDICATOR .....	1	1		

# Fig. 11 TILT LOCK

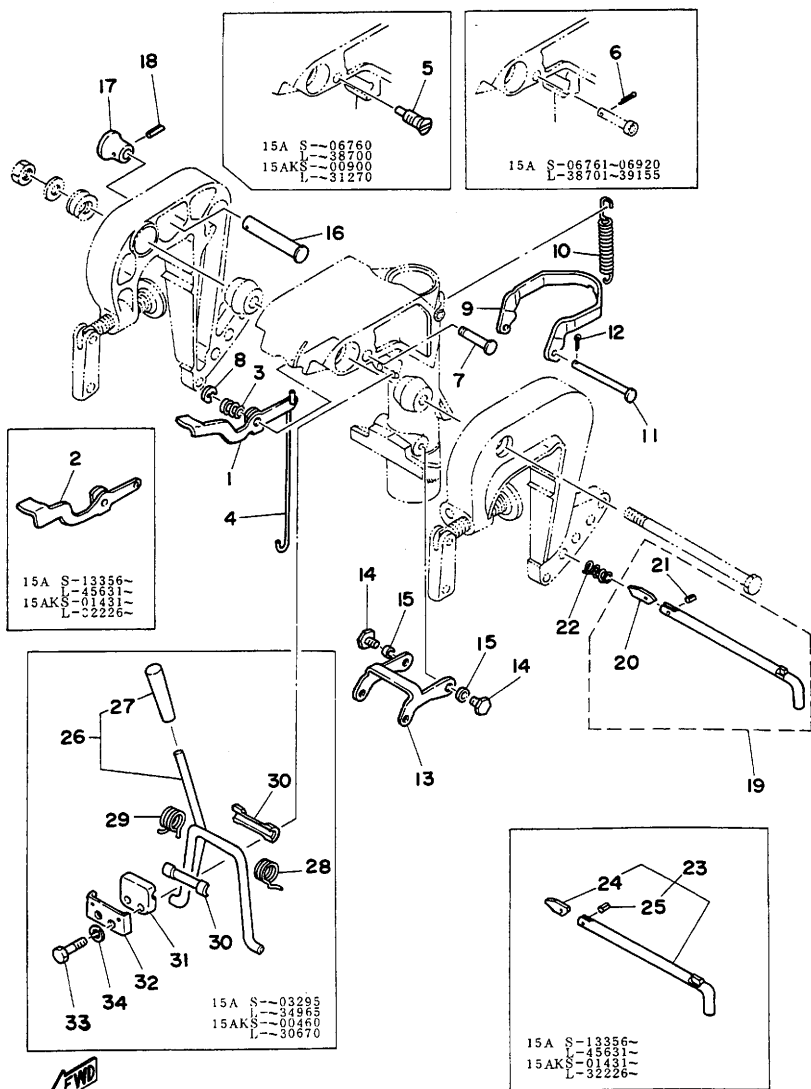




# TILT LOCK

Ref. No.	Parts No.	Description	Q'ty		Applicable Machine No.	Remarks
			15A	15AK		
11- 1	626-43631-00	LEVER, tilt 1	1	1	15AS ~ 12755 L ~ 44360 15AKS ~ 01430 L ~ 32225	
11- 2	* 650-43631-00	LEVER, tilt 1	1	1	15AS-13355 ~ L-45631 ~ 15AKS-01431 ~ L-32226 ~	
11- 3	90502-10007	SPRING, conical (650-43642-00)	1	1		
11- 4	626-43616-00	ROD, tilt lock 1	1	1		
11- 5	90149-08004	SCREW, tilt lever (626-43645-00)	1	1	15AS ~ 06760 L ~ 38700 15AKS ~ 00900 L ~ 31270	
11- 6	91490-16012	PIN, cotter	1	1	15AS-06761 ~ 06920 L-38701 ~ 39153	
11- 7	90249-06117	PIN	1	1		
11- 8	93430-05027	CIRCLIP (E-5)	1	1	15AS-06921 ~ L-39156 ~ 15AKS-00901 ~ L-31271 ~	
11- 9	626-43614-00	PLATE, tilt lock 1	1	1		
11-10	90506-20039	SPRING, tension (626-43656-00)	1	1		
11-11	90240-05045	PIN, with hole	1	1		
11-12	91490-16010	PIN, cotter	2	2	15AS ~ 09770 L ~ 4540 15AKS ~ 01270 L ~ 32145	
	91490-16010	PIN, cotter	1	1	15AS-09771 ~ L-42541 ~ 15AKS-01271 ~ L-32146 ~	
11-13	626-43615-00	PLATE, tilt lock 2	1	1		
11-14	90101-06115	BOLT, hexagon (626-43621-00)	2	2		
11-15	90387-06018	COLLAR (626-43658-00)	2	2		
11-16	656-43191-00	SHAFT, stopper	1	1		
11-17	648-43192-00-F6	KNOB, stopper	1	1	15AS-03296 ~ L-34966 ~ 15AKS-00461 ~ L-30671 ~	Metallic Ocean Blue
11-18	91690-30016	PIN, spring	1	1		
11-19	626-43160-01	TILT ROD ASS'Y (Standard)	1	1	15AS ~ 12755 L ~ 44360 15AKS ~ 01430 L ~ 32225	
	627-43160-01	TILT ROD ASS'Y (Long)	1	1		
11-20	608-43165-00	STOPPER PLATE, tilt lock rod (Standard, Long)	1	1	15AS ~ 06760 L ~ 38700 15AKS ~ 00900 L ~ 31270	
	648-43165-00	STOPPER PLATE, tilt lock rod (Standard, Long)	1	1	15AS-06761 ~ 12755 L-38701 ~ 44360 15AKS-00901 ~ 01430 L-31271 ~ 32226	
11-21	91690-20008	PIN, spring (Standard, Long)	1	1	15AS ~ 12755 L ~ 44360 15AKS ~ 01430 L ~ 32225	
11-22	90502-10014	SPRING, tilt rod (611-43162-00) (Standard, Long)	1	1		

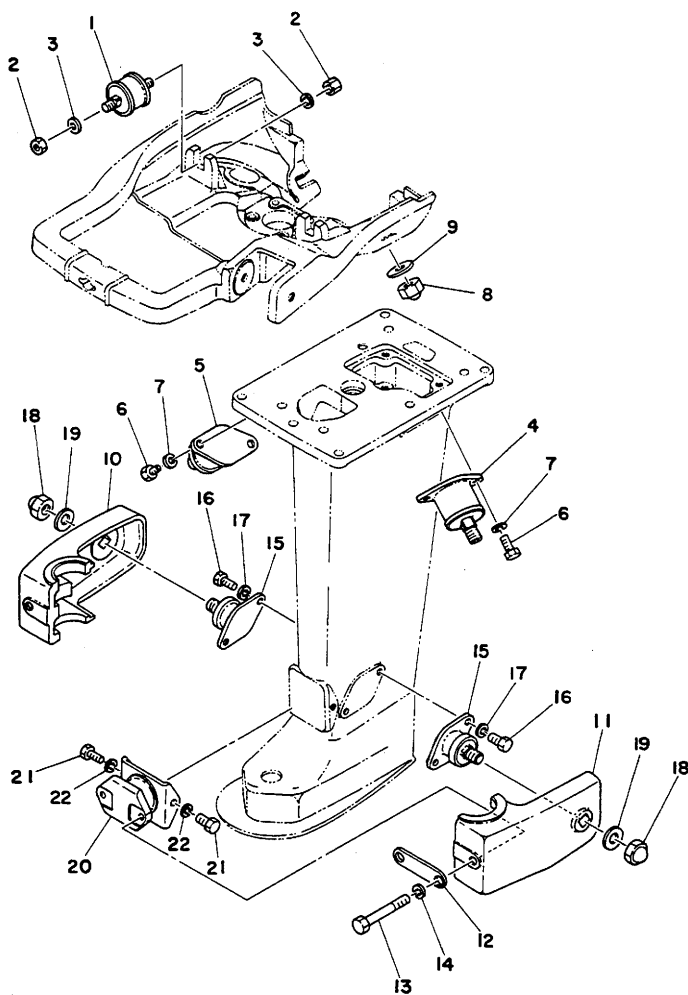
# Fig. 11 TILT LOCK



# TILT LOCK

Ref. No.	Parts No.	Description	Q'ty		Applicable Machine No.	Remarks
			15A	15AK		
11-23	* 650-43160-00	TILT ROD ASS'Y (Standard)	....	1	1	15AS-13356 ~ L-45531 ~ 15AKS-01431 ~ L-32226 ~  15AS ~ 03295 L ~ 34965 15AKS ~ 00460 L ~ 30670  Metallic Ocean Blue
	* 650-43160-10	TILT ROD ASS'Y (Long)	.....	1	1	
11-24	* 656-43165-01	. STOPPER PLATE (Standard, Long)	.....	1	1	
11-25	* 91690-30008	. PIN, spring (Standard, Long)	..	1	1	
11-26	626-43180-09	TILT STOPPER LEVER ASS'Y	..	1	1	
11-27	620-43632-00	. KNOB, tilt	.....	1	1	
11-28	90508-20024	SPRING 1 (620-43188-00)	.....	1	1	
11-29	90508-20025	SPRING 2 (620-43198-00)	.....	1	1	
11-30	620-43189-00	BUSHING	.....	2	2	
11-31	626-43313-00-F6	BRACKET, swivel 3	.....	1	1	
11-32	620-43319-00	PLATE	.....	1	1	
11-33	97370-06025	BOLT, hexagon	.....	2	2	
11-34	92990-06100	WASHER, spring	.....	2	2	

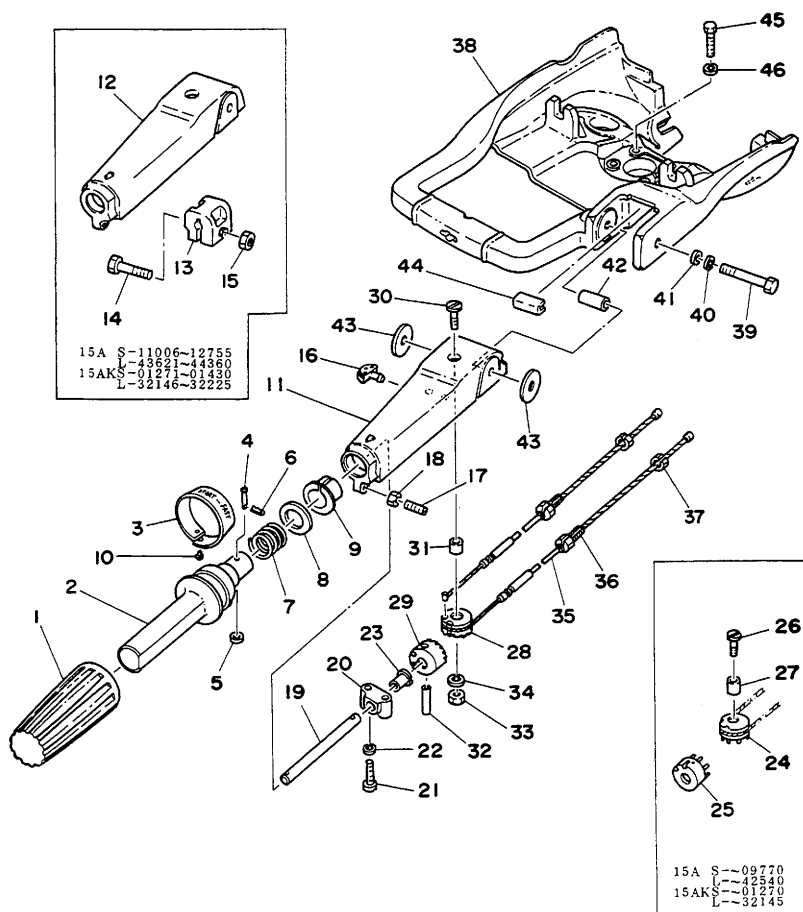
Fig. 12 MOUNTING



# MOUNTING

Ref. No.	Parts No.	Description	Q'ty		Applicable Machine No.	Remarks
			15A	15AK		
12- 1	626-44516-02	MOUNT RUBBER, upper front ..	2	2		
12- 2	95380-08500	NUT, hexagon .....	4	4		
12- 3	92990-08200	WASHER, plain .....	4	4		15AS ~08760, 13356~ L ~38700, 45631~ 15AKS ~00900, 01431~ L ~31270, 32226~
	90201-08095	WASHER, plate (626-42545-00) ..	4	4		
12- 4	626-44514-02	MOUNT RUBBER, upper side 1 ..	1	1		
12- 5	626-44515-02	MOUNT RUBBER, upper side 2 ..	1	1		
12- 6	97370-06015	BOLT, hexagon .....	4	4		
12- 7	92990-06100	WASHER, spring .....	4	4		
12- 8	95380-10800	NUT, crown .....	2	2		
12- 9	90201-10130	WASHER, friction (615-43132-00) .....	2	2		
12-10	650-44551-00-F6	HOUSING, lower mount rubber 1	1	1		Metallic Ocean Blue
12-11	650-44552-00-F6	HOUSING, lower mount rubber 2	1	1		Metallic Ocean Blue
12-12	650-44554-00-F6	PLATE .....	1	1		Metallic Ocean Blue
12-13	97370-08060	BOLT, hexagon .....	2	2		
12-14	92990-08100	WASHER, spring .....	2	2		
12-15	626-44555-02	MOUNT RUBBER, lower side ...	2	2		
12-16	97370-06015	BOLT, hexagon .....	4	4		
12-17	92990-06100	WASHER, spring .....	4	4		
12-18	95380-10800	NUT, crown .....	2	2		
12-19	90201-10130	WASHER, friction (615-43132-00)	2	2		
12-20	650-44557-02	MOUNT RUBBER, lower front ..	1	1		
12-21	97370-06015	BOLT, hexagon .....	2	2		
12-22	92990-06100	WASHER, spring .....	2	2		

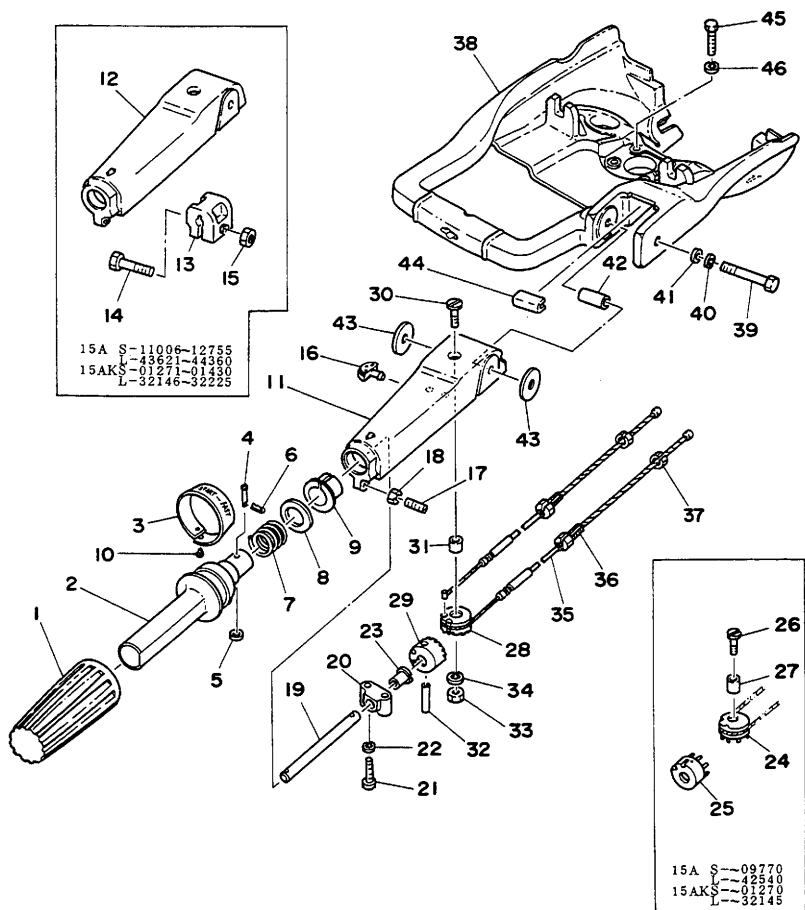
Fig. 13 HANDLE



## HANDLE

Ref. No.	Parts No.	Description	Q'ty		Applicable Machine No.	Remarks
			15A	15AK		
13- 1	650-42119-00	GRIP, steering handle	1	1		
13- 2	650-42115-01-F6	SHAFT, steering handle 1	1	1		Metallic Ocean Blue
13- 3	650-42137-01	INDICATOR, throttle	1	1		
13- 4	90249-03015	PIN (626-42195-00)	1	1		
13- 5	92990-03200	WASHER, plain	1	1	15AS ~ 12755 L ~ 44360	
13- 6	90468-10004	CLIP (626-41236-00)	1	1	15AKS ~ 01430 L ~ 32225	
13- 7	90501-20131	SPRING (626-42147-00)	1	1		
13- 8	90201-21281	WASHER (626-42181-00)	1	1		
13- 9	90386-20016	BUSHING 1 (626-42171-00)	1	1		
13-10	90269-02001	RIVET	1	1		
13-11	650-42111-00-F6	HANDLE, steering 1	1	1	15AS ~ 04385 L ~ 35865	
	650-42111-01-F6	HANDLE, steering 1	1	1	15AKS ~ 00730 L ~ 30950	
13-12	650-42111-02-F6	HANDLE, steering 1	1	1	15AS-04385 ~ 11005 L-35866 ~ 43620	Metallic Ocean Blue
					15AKS-00731 ~ 01270 L-30951 ~ 32145	
13-13	656-42126-01	PIECE, friction	1	1	15AS-11006 ~ 12755 L-43621 ~ 44360	Metallic Ocean Blue
13-14	97370-06020	BOLT, hexagon	1	1	15AKS-01271 ~ 01430 L-32146 ~ 32225	
13-15	90185-06062	NUT, selflocking	1	1		
13-16	606-42591-00	HOLDER, shear pin	1	1		
13-17	90113-06010	BOLT, set (626-42199-00)	1	1		
13-18	95380-06700	NUT, hexagon	1	1		
13-19	650-42116-00	SHAFT, steering handle 2	1	1	15AS ~ 12755 L ~ 44360	Metallic Ocean Blue
13-20	626-42159-00-F6	STAY	1	1	15AKS ~ 01430 L ~ 32225	
13-21	98380-05025	SCREW, cylinderhead	2	2		
13-22	92990-05100	WASHER, spring	2	2		
13-23	90386-08032	BUSHING	1	1		
13-24	626-42141-00	KNEE GEAR 1	1	1		
13-25	626-42142-00	KNEE GEAR 2	1	1	15AS ~ 09770 L ~ 42540	Metallic Ocean Blue
13-26	92280-06020	SCREW, flathead	1	1	15AKS ~ 01270 L ~ 32145	
13-27	90387-06016	COLLAR (626-42128-00)	1	1		

Fig. 13 HANDLE

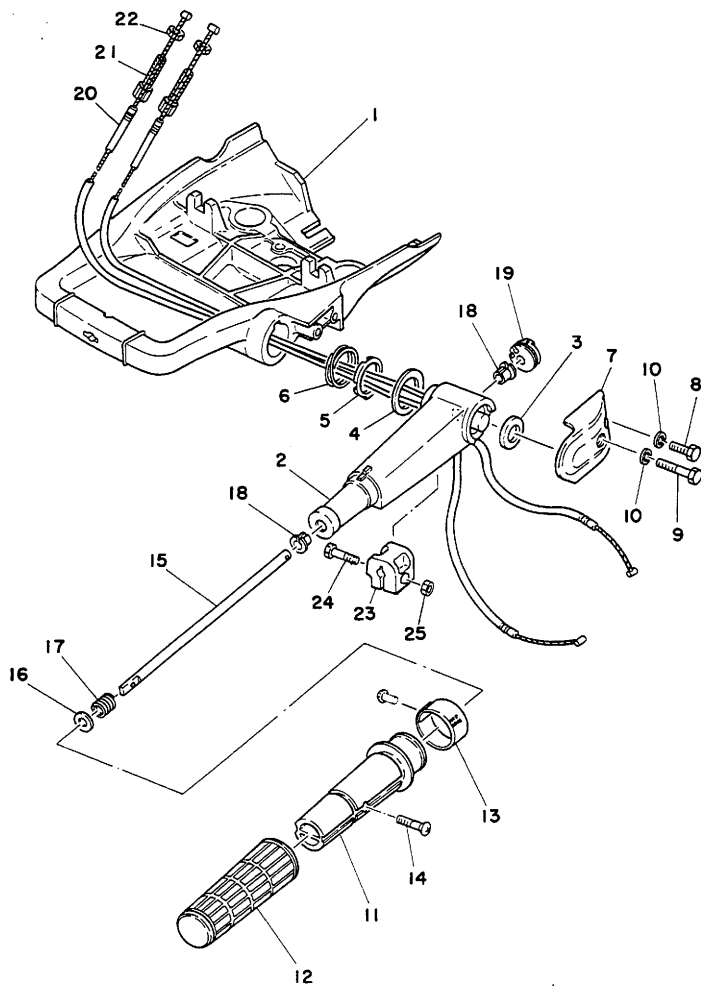




# HANDLE

Ref. No.	Parts No.	Description	Q'ty		Applicable Machine No.	Remarks
			15A	15AK		
13-28	650-42151-00-94	PINION	1	1		} 15AS-09771 ~ 12755 L-42541 ~ 44360 15AKS-01271 ~ 01430 L-32146 ~ 32225
13-29	650-42152-00-94	GEAR	1	1		
13-30	92280-06025	SCREW, flathead	1	1		
13-31	90387-06504	COLLAR	1	1		} 15AS ~ 12755 L ~ 44360 15AKS ~ 01430 L ~ 32225  Metallic Ocean Blue
13-32	91690-30025	PIN, spring	1	1		
13-33	95390-06700	NUT, hexagon	1	1		
13-34	92990-06100	WASHER, spring	1	1		
13-35	650-26311-00	WIRE, throttle	2	2		
13-36	650-26317-00	ADJUSTER, cable	2	2		
13-37	90179-06039	NUT, cable guide	2	2		
13-38	650-42511-02-F6	BRACKET, steering	1	1		
13-39	97370-08070	BOLT, hexagon	1	1		
13-40	92990-08100	WASHER, spring	1	1		
13-41	90201-08095	WASHER, plate (626-42545-00)	1	1		
13-42	90387-08052	COLLAR (626-42135-00)	1	1		
13-43	626-42155-00	SPACER, handle	2	2		
13-44	626-42541-00	RUBBER	1	1		
13-45	97370-06025	BOLT, hexagon	4	4		
13-46	92990-06100	WASHER, spring	4	4		

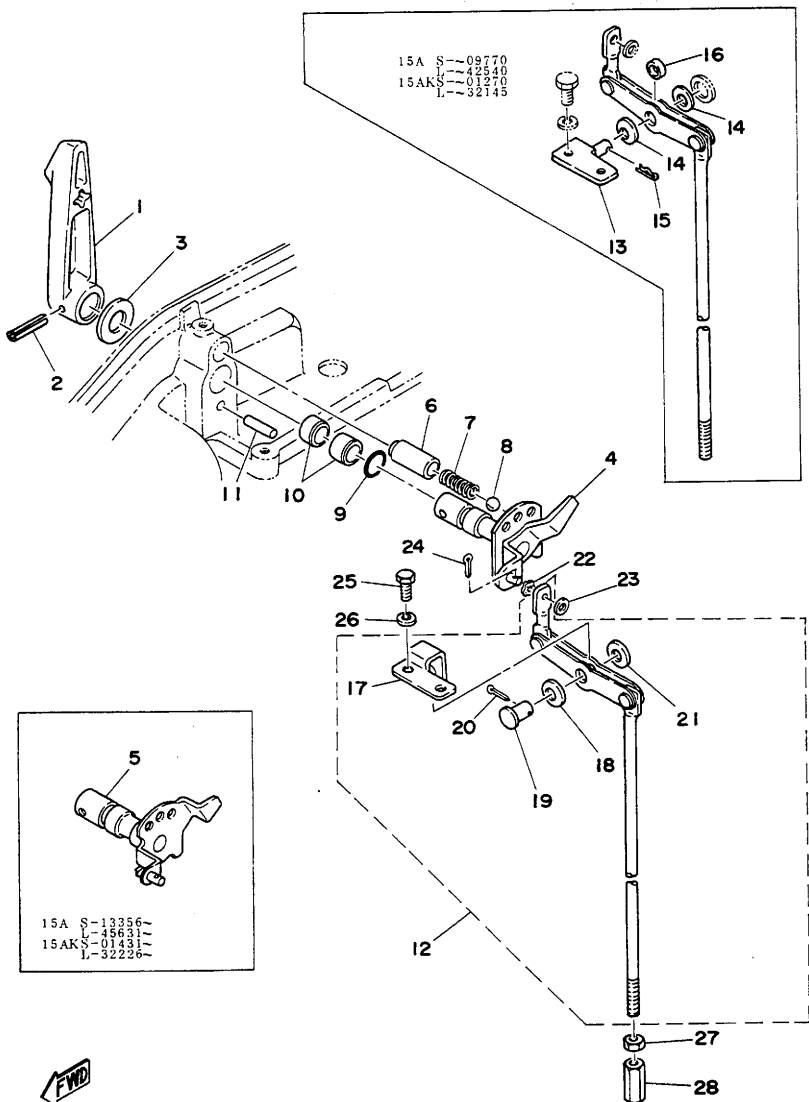
Fig. 14 HANDLE ( 15AS-13356~ 15AKS-01431~  
L-45631~, L-32226~ )



HANDLE ( 15AS-13356~ 15AKS-01431~ )  
L-45631~, L-32226~)

Ref. No.	Parts No.	Description	Q'ty		Applicable Machine No.	Remarks
			15A	15AK		
14- 1	* 650-42511-03-F6	BRACKET, steering	1	1		Metallic Ocean Blue
14- 2	* 664-42111-01-F6	HANDLE, steering 1	1	1		Metallic Ocean Blue
14- 3	* 90560-14076	SPACER (648-42155-00)	1	1		
14- 4	* 90202-34043	WASHER, plate	1	1		
14- 5	* 656-42155-00	SPACER, handle 1	1	1		
14- 6	* 90501-20001	SPRING, compression	1	1		
14- 7	* 656-42112-00-F6	HANDLE, steering 2	1	1		Metallic Ocean Blue
14- 8	* 97323-06020	BOLT, hexagon	1	1		
14- 9	* 97323-06035	BOLT, hexagon	1	1		
14-10	* 92990-06100	WASHER, spring	2	2		
14-11	* 664-42119-00	GRIP, steering handle	1	1		
14-12	* 647-42177-00	RUBBER, handle 1	1	1		
14-13	* 650-42137-02	INDICATOR, throttle	1	1		
14-14	* 98180-05025	SCREW, ovalhead	1	1		
14-15	* 664-42115-00	SHAFT, steering handle	1	1		
14-16	* 92903-10600	WASHER, plate	1	1		
14-17	* 90501-2*215	SPRING, compression	1	1		
14-18	* 90386-08032	BUSHING	2	2		
14-19	* 648-42138-00	LEVER, throttle	1	1		
14-20	* 650-26311-01	THROTTLE WIRE COMP.	2	2		
14-21	* 650-26317-01	ADJUSTER, cable	2	2		
14-22	90179-06039	NUT, hexagon	2	2		
14-23	656-42126-01	PIECE, friction	1	1		
14-24	97370-06020	BOLT, hexagon	1	1		
14-25	90185-06062	NUT, selflocking	1	1		

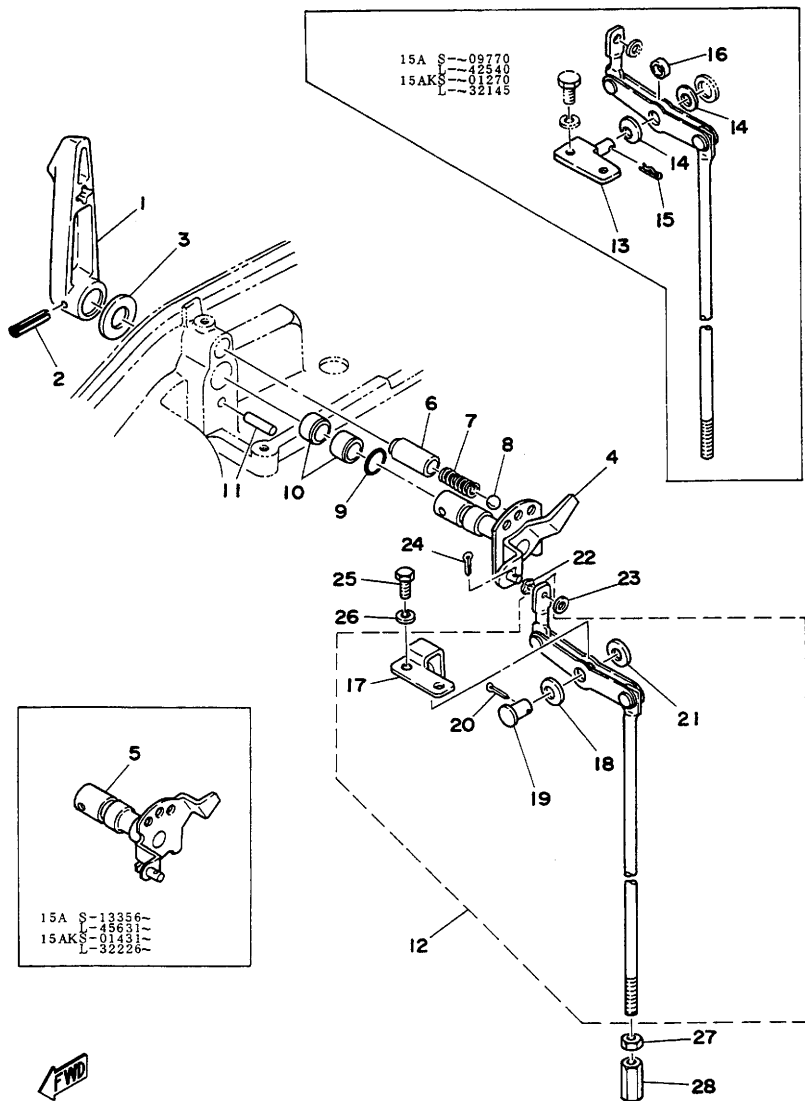
Fig. 15 GEAR SHIFT



# GEAR SHIFT

Ref. No.	Parts No.	Description	Q'ty		Applicable Machine No.	Remarks
			15A	15AK		
15- 1	626-44111-00-F6	HANDLE, gear shift	1	1		Metallic Ocean Blue
15- 2	91690-40022	PIN, spring	1	1		
15- 3	90202-14036	WASHER, shift rod lever (650-44126-00)	1	1		
15- 4	650-44113-01	CAM PLATE, handle	1	1		15AS ~ 12755 L ~ 44360
15- 5	650-44113-02	CAM PLATE, handle	1	1		15AKS ~ 01430 L ~ 32225
15- 6	626-42715-00	BUSHING 2	1	1		15AS-13356 ~ L-45631 ~ 15AKS-01431 ~ L-32226 ~
15- 7	90501-12085	SPRING (611-44116-00)	1	1		
15- 8	93505-16006	BALL, steel (5/16 inch)	1	1		
15- 9	93210-10096	O-RING (2.4-9.8)	1	1		15AS-02071 ~ L-33066 ~ 15AKS-00426 ~ L-30596 ~
15-10	90383-14006	BUSHING (650-44122-00)	2	2		
15-11	93606-20044	PIN, dowel B (6-20)	1	1		
15-12	650-44110-01	SHIFT ROD ASS'Y	1	1		
15-13	626-44117-01	. BRACKET 1	1	1		
15-14	90206-08010	. WASHER	2	2		15AS ~ 09770 L ~ 42540 15AKS ~ 01270 L ~ 32145
15-15	90468-10005	. PIN, hair 2 (626-41235-00)	1	1		15AS ~ 03275 L ~ 34965 15AKS ~ 00860 L ~ 30670
	91490-16012	. PIN, cotter	1	1		15AS-03275 ~ 09770 L-34966 ~ 42540 15AKS-00461 ~ 01270 L-30671 ~ 32145
15-16	90387-08001	. COLLAR (8.4-10-3.5)	1	1		15AS-06761 ~ 09770 L-36703 ~ 42540 15AKS-00901 ~ 01270 L-31271 ~ 32145
15-17	650-44117-00	. BRACKET 1	1	1		
15-18	90206-08010	. WASHER	1	1		15AS-09771 ~ L-43541 ~ 15AKS-01271 ~ L-32146 ~
15-19	90240-08010	. PIN, with hole (614-48161-00)	1	1		
15-20	91490-25012	. PIN, cotter	1	1		15AS-09771 ~ 12755 L-48541 ~ 44360 15AKS-01271 ~ 01430 L-32146 ~ 32225
	91490-20012	. PIN, cotter	1	1		15AS-13356 ~ L-45631 ~ 15AKS-01431 ~ L-32226 ~
15-21	92990-08600	. WASHER, plain	1	1		
15-22	90206-05005	WASHER, wave	1	1		
15-23	92903-05200	WASHER, plain	1	1		
15-24	91490-20012	PIN, cotter	1	1		
15-25	97323-06015	BOLT, hexagon	2	2		
15-26	92903-06100	WASHER, spring	2	2		

# Fig. 15 GEAR SHIFT



15A S--09770  
 L--42540  
 15AKS--01270  
 L--32145

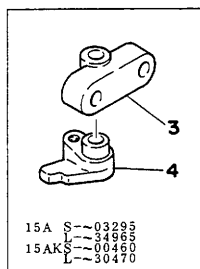
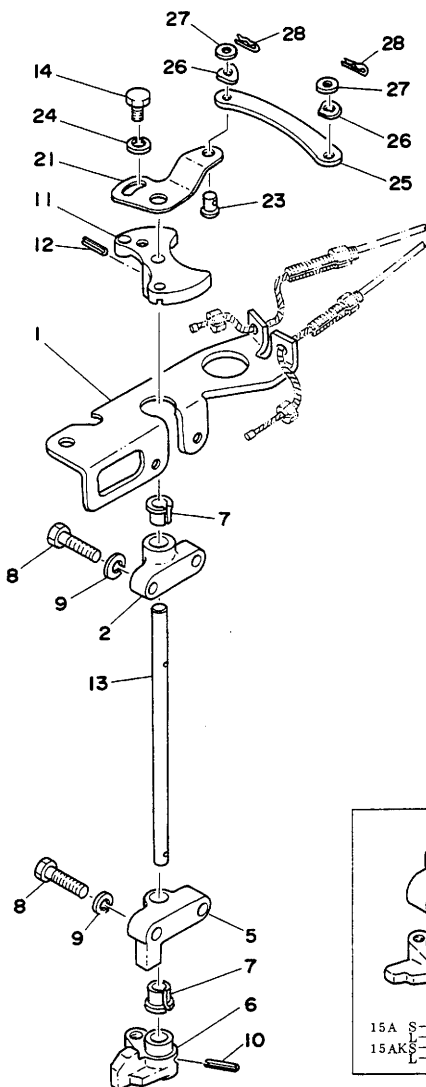
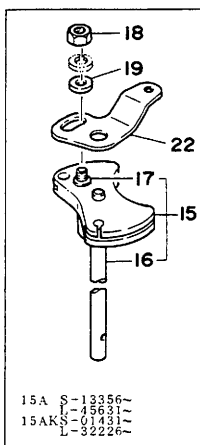
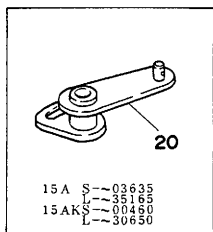
15A S-13356  
 L-43636  
 15AKS-01637  
 L-32228



# GEAR SHIFT

Ref. No.	Parts No.	Description	Q'ty		Applicable Machine No.	Remarks
			15A	15AK		
15-27	95380-06700	NUT, hexagon .....	1	1		
15-28	90170-06015	NUT, hexagon (626-44145-00) ...	1	1		

Fig.16 THROTTLE CONTROL

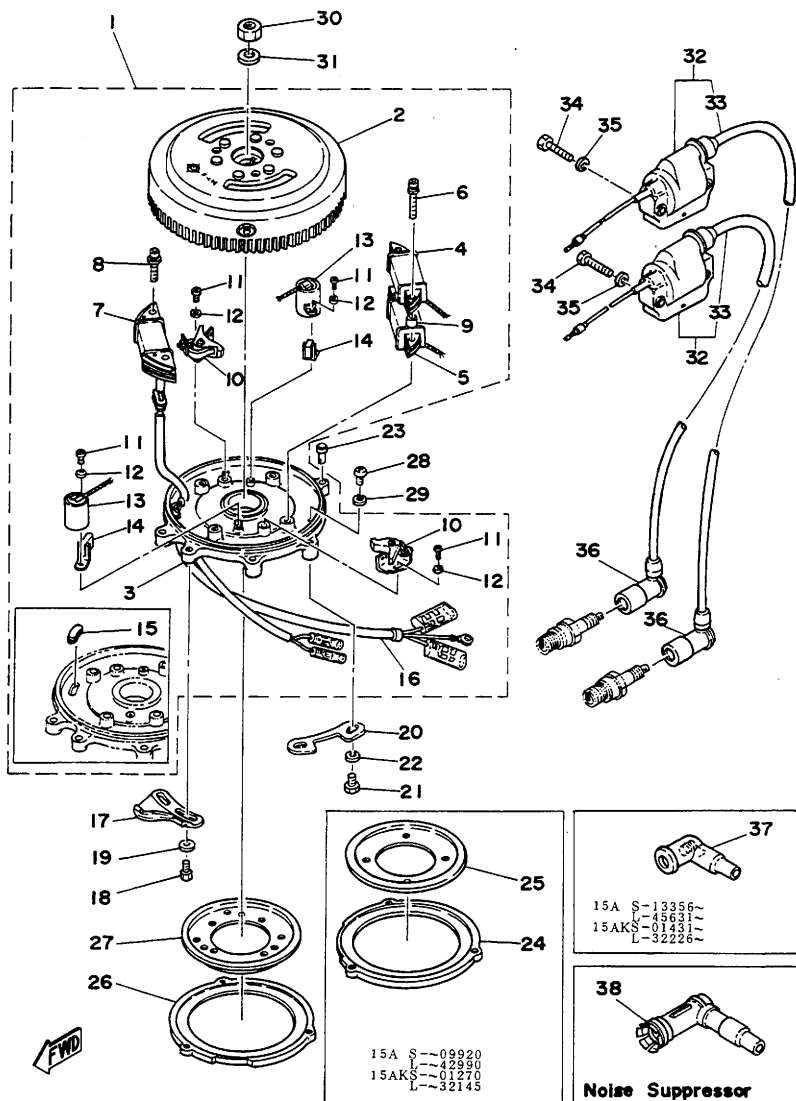




# THROTTLE CONTROL

Ref. No.	Parts No.	Description	Q'ty		Applicable Machine No.	Remarks
			15A	15AK		
16- 1	650-14497-00	STAY, throttle wire	1	1		
16- 2	626-41661-00-94	BRACKET 1	1	1		
16- 3	626-41662-00-94	BRACKET 2	1	1	15AS ~ 03295 L ~ 34965 15AKS ~ 00460 L ~ 30470	
16- 4	634-44114-00-94	STOPPER	1	1		
16- 5	650-41662-00-94	BRACKET 2	1	1	15AS-03296 ~ L-34966 ~ 15AKS-00461 ~ L-30471 ~	
16- 6	650-44114-00-94	STOPPER	1	1		
16- 7	90386-08032	BUSHING	2	2		
16- 8	97323-06025	BOLT, hexagon	4	4		
16- 9	92903-06100	WASHER, spring	4	4		
16-10	91690-30018	PIN, spring	1	1		
16-11	650-41638-00-94	PULLEY	1	1	15AS ~ 12755 L ~ 44360 15AKS ~ 01430 L ~ 32225	
16-12	91690-30014	PIN, spring	1	1		
16-13	626-41635-00	SHAFT, link connecting	1	1		
16-14	97323-06012	BOLT, hexagon	1	1		
16-15	* 650-41638-01	PULLEY	1	1		
16-16	* 650-41635-00	. SHAFT, link connecting	1	1	15AS-13356 ~ L-45631 ~ 15AKS-01431 ~ L-32226 ~	
16-17	* 650-41641-00	. BOSS, lever	1	1		
16-18	* 95313-06600	NUT, hexagon	1	1		
16-19	* 92903-06600	WASHER, plate	1	1		
16-20	650-41631-00	LEVER, magneto control 1	1	1	15AS ~ 03635 L ~ 35165 15AKS ~ 00460 L ~ 30650	
16-21	650-41631-01	LEVER, magneto control 1	1	1		
16-22	* 650-41631-02	LEVER, magneto control 1	1	1	15AS-03636 ~ 12755 L-35166 ~ 44360 15AKS-00461 ~ 01430 L-30651 ~ 32225 15AS-13356 ~ L-45631 ~ 15AKS-01431 ~ L-32226 ~	
16-23	90240-05030	PIN, with hole	1	1		
	647-41652-00	SET PIN, magneto control 2	1	1	15AS ~ 03296 ~ L-34966 ~ 15AKS-00461 ~ L-30671 ~	
16-24	92903-06100	WASHER, spring	1	1		
16-25	634-41632-00	LEVER, magneto control 2	1	1		
16-26	90206-05005	WASHER, wave	2	2		
16-27	92990-05200	WASHER, plain	2	2		
16-28	90468-10005	PIN, hair (626-41235-00)	2	2		

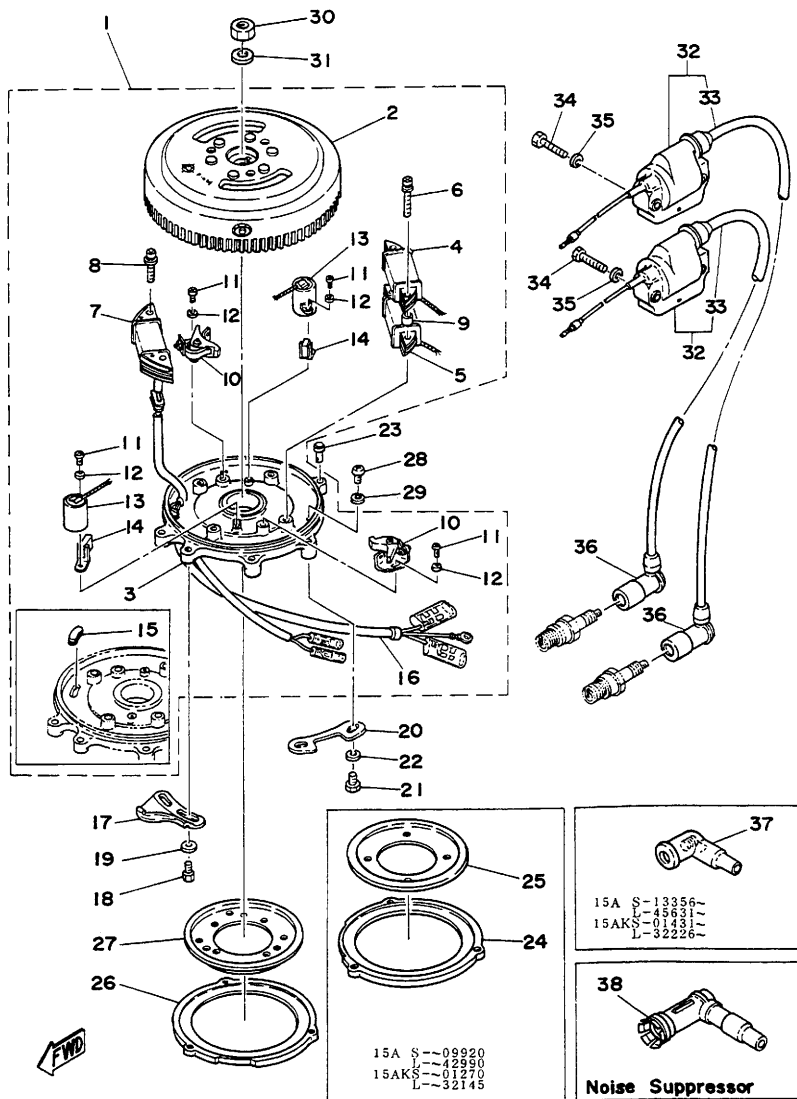
Fig. 17 FLYWHEEL MAGNETO (40W)



# FLYWHEEL MAGNETO (40W)

Ref. No.	Parts No.	Description	Q'ty		Applicable Machine No.	Remarks
			15A	15AK		
17- 1	650-81300-60	FLYWHEEL MAGNETO ASS'Y	1	1		}
17- 2	647-81350-10	. ROTOR ASS'Y	1	1		
17- 3	650-81309-10	. BASE, magneto	1	1		
17- 4	647-81311-10	. COIL, ignition 1	1	1		
17- 5	647-81312-10	. COIL, ignition 2	1	1		
17- 6	647-81323-10	. SCREW (5-35)	2	2		
17- 7	647-81313-41	. COIL, lighting	1	1		
17- 8	647-81324-10	. SCREW	2	2	15AS ~ 09770 L ~ 42540 15AKS ~ 01270 L ~ 32145	
17- 9	647-81318-10	. TUBE	2	2		
17-10	650-81321-10	. CONTACT BREAKER ASS'Y	2	2		
17-11	164-81246-21	. SCREW, panhead (4-8)	4	4		
17-12	92901-04100	. WASHER, spring	4	4		
17-13	647-81325-11	. CONDENSER	2	2		
17-14	207-81331-10	. LUBRICATOR	2	2		
17-15	647-81336-10	. GROMMET	1	1		
17-16	647-81315-10	. LEAD WIRE ASS'Y	1	1	15AS ~ 06760 L ~ 38700 15AKS ~ 00900 L ~ 31270	
	650-81315-10	. LEAD WIRE ASS'Y	1	1	15AS-06761 ~ 09770 L-38701 ~ 42540 15AKS-00901 ~ 01270 L-31271 ~ 32145	
17-17	650-41213-00-94	CAM, accl.	1	1		
17-18	97323-05012	BOLT, hexagon	2	2		
17-19	92903-05600	WASHER, plate	2	2		
17-20	650-41615-01	STOPPER, magneto base	1	1		
17-21	97323-06015	BOLT, hexagon	2	2		
17-22	92903-06600	WASHER, plate	2	2		
17-23	90240-05004	PIN, with hole (650-41651-00)	1	1		
17-24	650-41611-00-94	RETAINER, magneto base 1	1	1	15AS ~ 09920 L ~ 42980 15AKS ~ 01270 L ~ 32145	
17-25	650-41612-01	RETAINER, magneto base 2	1	1		
17-26	655-41611-00-94	RETAINER, magneto base 1	1	1	15AS-09921 ~ L-42991 ~	
17-27	655-41612-00	RETAINER, magneto base 2	1	1	15AKS-01271 ~ L-32146 ~	
17-28	97803-05010	SCREW, panhead	3	3		

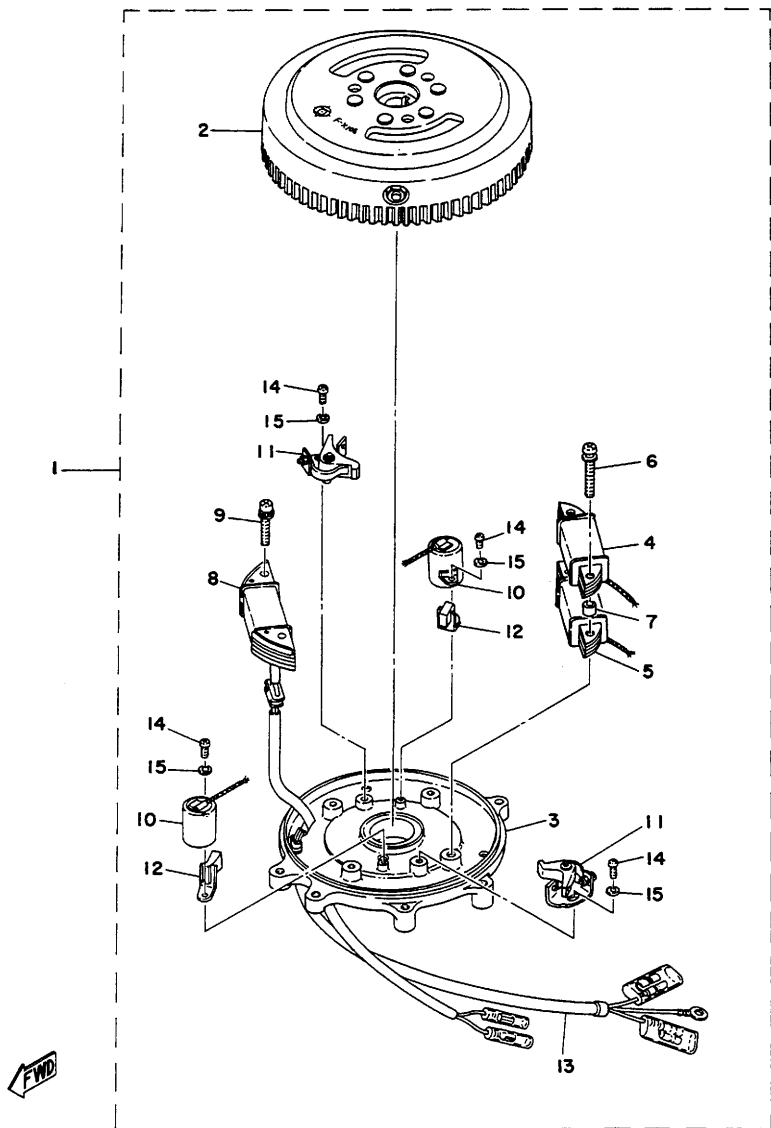
# Fig. 17 FLYWHEEL MAGNETO (40W)



# FLYWHEEL MAGNETO (40W)

Ref. No.	Parts No.	Description	Q'ty		Applicable Machine No.	Remarks
			15A	15AK		
17-29	92903-05100	WASHER, spring	3	3		
17-30	90170-10113	NUT	1	1		
17-31	90201-10126	WASHER 1 (647-11557-00)	1	1		
17-32	650-82310-11	IGNITION COIL ASS'Y	2	2	{ 15AS-~12755 L~44360 15AKS-~01430 L~32226	
	* 650-82310-12	IGNITION COIL ASS'Y	2	2		{ 15AS-13356~ L-45531~ 15AKS-01431~ L-32226~
17-33	650-82340-10	. CORD, hightension	2	2		
17-34	97323-06030	BOLT, hexagon	4	4		
17-35	92903-06600	WASHER, plate	4	4		
17-36	624-82370-00	PLUG CAP ASS'Y	2	2	{ 15AS-~12755 L~44360 15AKS-~01430 L~32226	
17-37	* 663-82370-01	PLUG CAP ASS'Y	2	2		{ 15AS-13356~ L-45531~ 15AKS-01431~ L-32226~
17-38	650-82370-00	PLUG CAP ASS'Y	2	2		

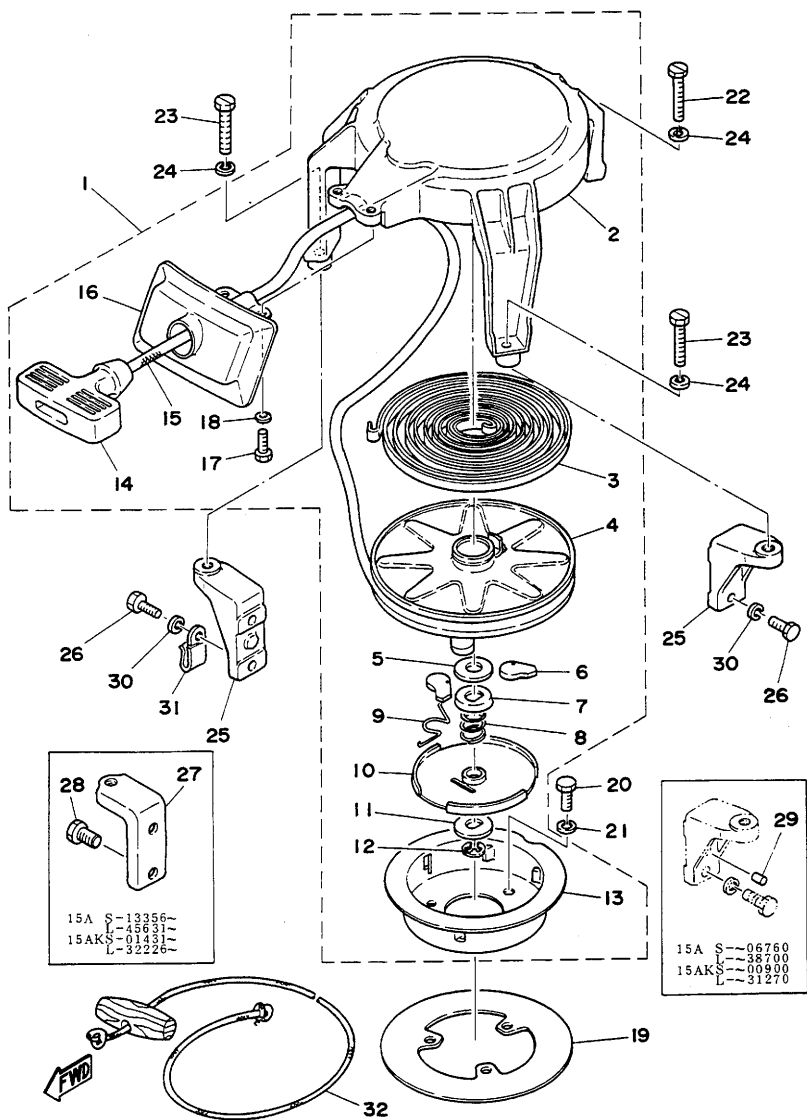
Fig. 18 FLYWHEEL MAGNETO (80W)



# FLYWHEEL MAGNETO (80W)

Ref. No.	Parts No.	Description	Q'ty		Applicable Machine No.	Remarks
			15A	15AK		
18- 1	650-81300-A0	FLYWHEEL MAGNETO ASS'Y ..	1	1		15AS-09771~ L-42541~ 15AKS-01271~ L-32146~
18- 2	655-81350-A0	. ROTOR ASS'Y .....	1	1		
18- 3	650-81309-10	. BASE, magneto .....	1	1		
18- 4	655-81311-A0	. COIL, ignition 1 .....	1	1		
18- 5	655-81312-A0	. COIL, ignition 2 .....	1	1		
18- 6	647-81323-10	. SCREW 1 (5-35) .....	2	2		
18- 7	647-81318-10	. TUBE .....	2	2		
18- 8	655-81313-A0	. COIL, lighting .....	1	1		
18- 9	647-81324-10	. SCREW 2 (5-30) .....	2	2		
18-10	647-81325-11	. CONDENSER .....	2	2		
18-11	650-81321-10	. CONTACT BREAKER ASS'Y ...	2	2		
18-12	207-81331-10	. LUBRICATOR .....	2	2		
18-13	650-81315-10	. LEAD WIRE ASS'Y .....	1	1		
18-14	164-81246-21	. SCREW, panhead (4-8) .....	4	4		
18-15	92901-04100	. WASHER, spring .....	4	4		

# Fig. 19 STARTER

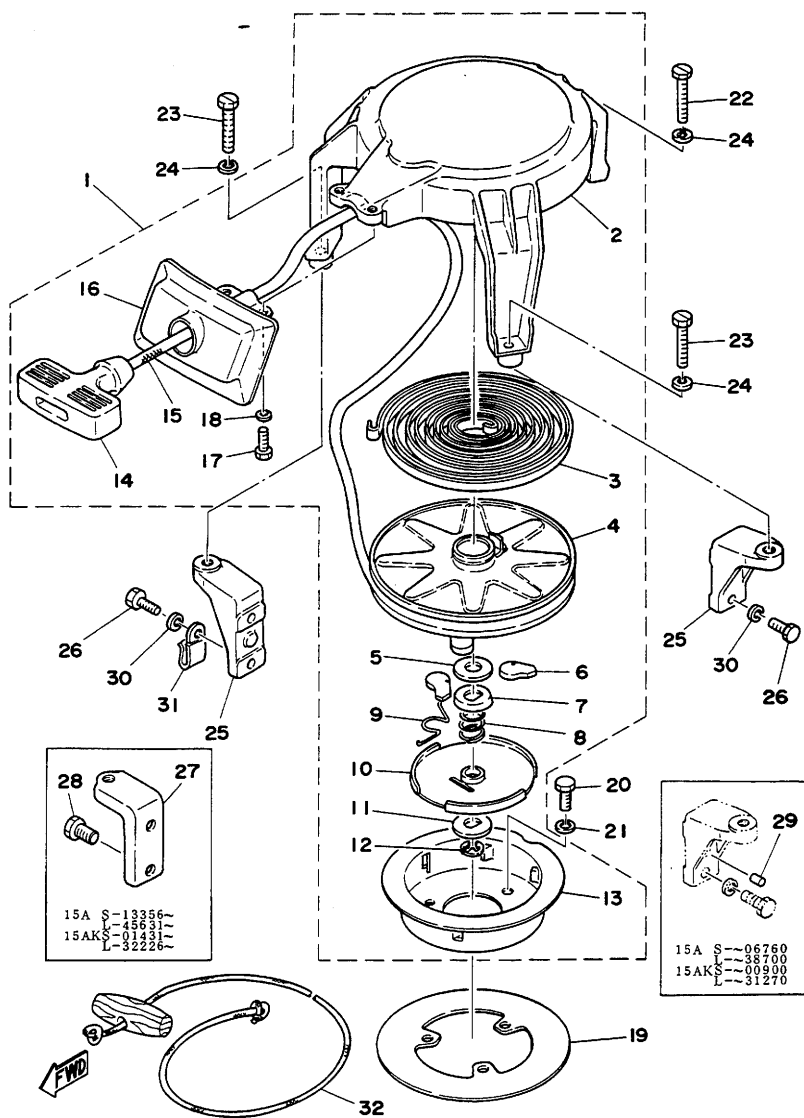




# STARTER

Ref. No.	Parts No.	Description	Q'ty		Applicable Machine No.	Remarks
			15A	15AK		
19- 1	650-15710-01-33	STARTER ASS'Y	1	1		Yamaha Black
19- 2	650-15711-00-33	. CASE, starter	1	1		Yamaha Black
19- 3	626-15713-00	. SPRING, starter	1	1		
19- 4	626-15714-00	. DRUM, sheave	1	1		
19- 5	626-15739-00	. WASHER, thrust	1	1		
19- 6	626-15741-01	. PAWL, drive	3	3		
19- 7	626-15719-00	. WASHER, thrust	1	1		
19- 8	626-15715-01	. SPRING, drive plate	1	1		
19- 9	807-15784-00	. SPRING, return	3	3		
19-10	626-15716-00	. PLATE, drive	1	1		
19-11	626-15726-00	. WASHER, flat	1	1		
19-12	802-15744-00	. CIRCLIP	1	1		
19-13	650-15723-00	. PULLEY, starter	1	1		
19-14	619-15755-01	. HANDLE, starter	1	1		
19-15	615-15751-00	. WIRE, starter	1	1		
19-16	650-15758-01-33	. GUIDE, wire	1	1		Yamaha Black
19-17	97323-06015	. BOLT, hexagon	2	2		
19-18	92903-06100	. WASHER, spring	2	2		
19-19	662-81362-00	COVER, hole 1	1	1		
19-20	97323-06015	BOLT, hexagon	3	3		
19-21	92903-06100	WASHER, spring	3	3		
19-22	90143-06019	SCREW, slotted hexagon	1	1		
19-23	90143-06018	SCREW, slotted hexagon	2	2		
19-24	92903-06100	WASHER, spring	3	3		
19-25	650-15771-00-94	STAY 1	2	2		15AS- ~ 12755 L- ~ 44360 15AKS- ~ 01430 L- ~ 32225
19-26	97323-06018	BOLT, hexagon	4	4		
19-27	* 650-15771-01-94	STAY 1	2	2		15AS-13256~ L-45631~ 15AKS-01431~ L-32226~
19-28	* 97323-06015	BOLT, hexagon	4	4		
19-29	93604-08062	PIN, dowel B (4-8)	2	2		15AS- ~ 06760 L- ~ 38700 15AKS- ~ 00900 L- ~ 31270

Fig. 19 STARTER



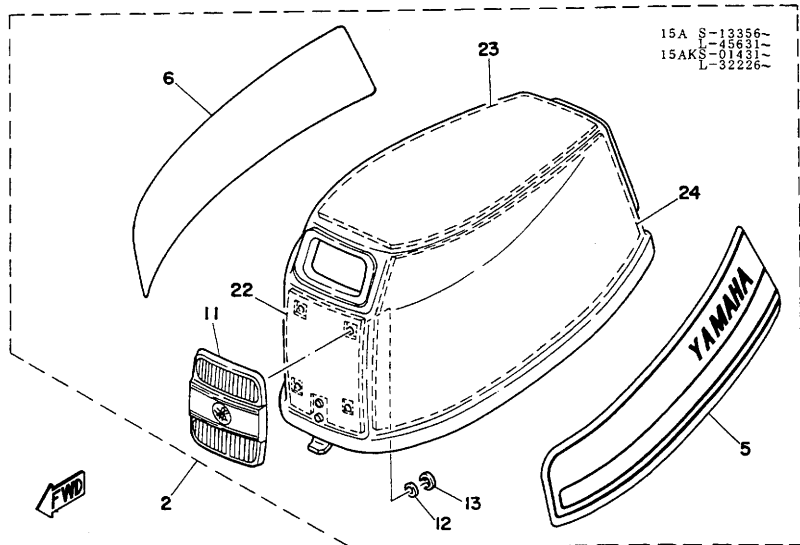
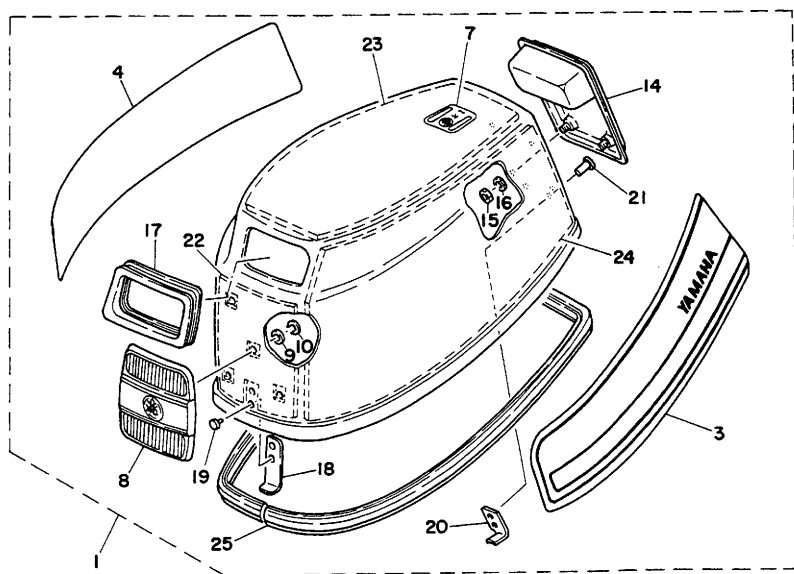
15A	S	~189	~189
15AKS	S	~459	~459
	L	~225	~225
	L	~312	~312

15A	S	~06760
15AKS	S	~38700
	L	~00900
	L	~31270

# STARTER

Ref. No.	Parts No.	Description	Q'ty		Applicable Machine No.	Remarks
			15A	15AK		
19-30	92903-06100	WASHER, spring .....	4	4		
19-31	90465-06038	CLAMP (650-82362-00) .....	1	1		15AS-06761~ L-38701~ 15AKS-00901~ L-31271~
19-32	647-15780-01	EMERGENCY STARTER ASS'Y ..	1	1		

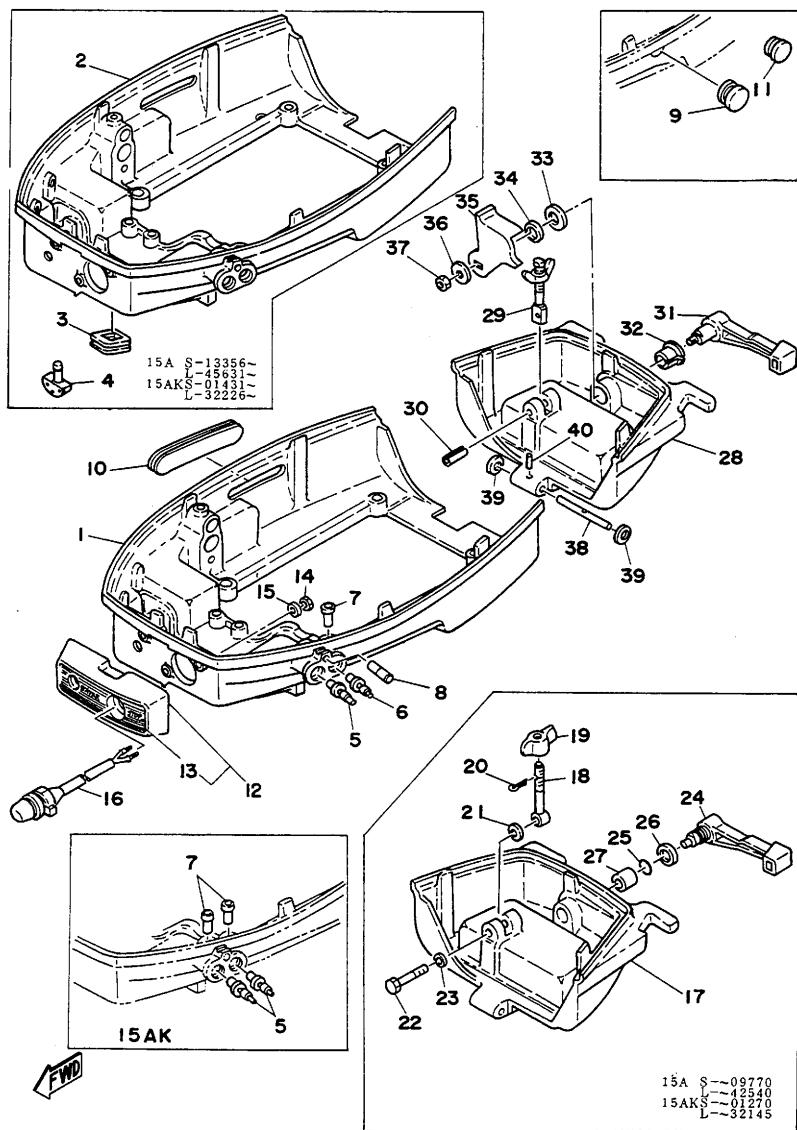
Fig. 20 TOP COWLING



# TOP COWLING

Ref. No.	Parts No.	Description	Q'ty		Applicable Machine No.	Remarks
			15A	15AK		
20- 1	651-42610-80-F6	TOP COWLING ASS'Y	1		15AS-09771 ~ 12755 L-42541 ~ 44360 15AKS-01271 ~ 01430 L-32146 ~ 32225	Metallic Ocean Blue
	652-42610-80-F6	TOP COWLING ASS'Y		1		
20- 2	* 651-42610-81-F6	TOP COWLING ASS'Y	1		15AS-13356 ~ L-45631 ~ 15AKS-01431 ~ L-32226 ~	Metallic Ocean Blue
	* 652-42610-81-F6	TOP COWLING ASS'Y		1		
20- 3	650-42675-03	. GRAPHIC, side 1	1	1	15AS ~ 12755 L ~ 44360 15AKS ~ 01430 L ~ 32225	
20- 4	650-42676-03	. GRAPHIC, side 2	1	1		
20- 5	* 650-42675-04	. GRAPHIC, side 1	1	1	15AS-13356 ~ L-45631 ~ 15AKS-01431 ~ L-32226 ~	
20- 6	* 650-42676-04	. GRAPHIC, side 2	1	1		
20- 7	652-42679-01	. GRAPHIC, upper		1		
20- 8	650-42686-00	. EMBLEM, front	1	1	15AS ~ 12755 L ~ 44360 15AKS ~ 01430 L ~ 32225	
20- 9	650-42693-00	. DAMPER, emblem	5	5		
20-10	90183-05003	. NUT, spring (650-42691-00)	5	5		
20-11	* 650-42686-01	. EMBLEM, front	1	1	15AS-13356 ~ L-45631 ~ 15AKS-01431 ~ L-32226 ~	
20-12	* 650-42693-00	. DAMPER, emblem	4	4		
20-13	* 90183-05003	. NUT, spring (650-42691-00)	4	4		
20-14	652-42687-00	. EMBLEM, rear	1	1		
20-15	95303-05600	. NUT, hexagon	4	4		
20-16	92903-05100	. WASHER, spring	4	4		
20-17	650-15761-01	. SEAL, rubber 1	1	1		
20-18	650-42651-00	. HOOK 1	1	1		
20-19	90266-04007	. RIVET	2	2		
20-20	650-42647-00	. HOLDER, clamp band	1	1		
20-21	90266-04003	. RIVET 2	2	2		
20-22	650-42662-00	. DAMPER 1	1	1		
20-23	650-42663-00	. DAMPER 2	1	1		
20-24	650-42664-00	. DAMPER 3	2	2		
20-25	650-42615-01	. SEAL	1	1		

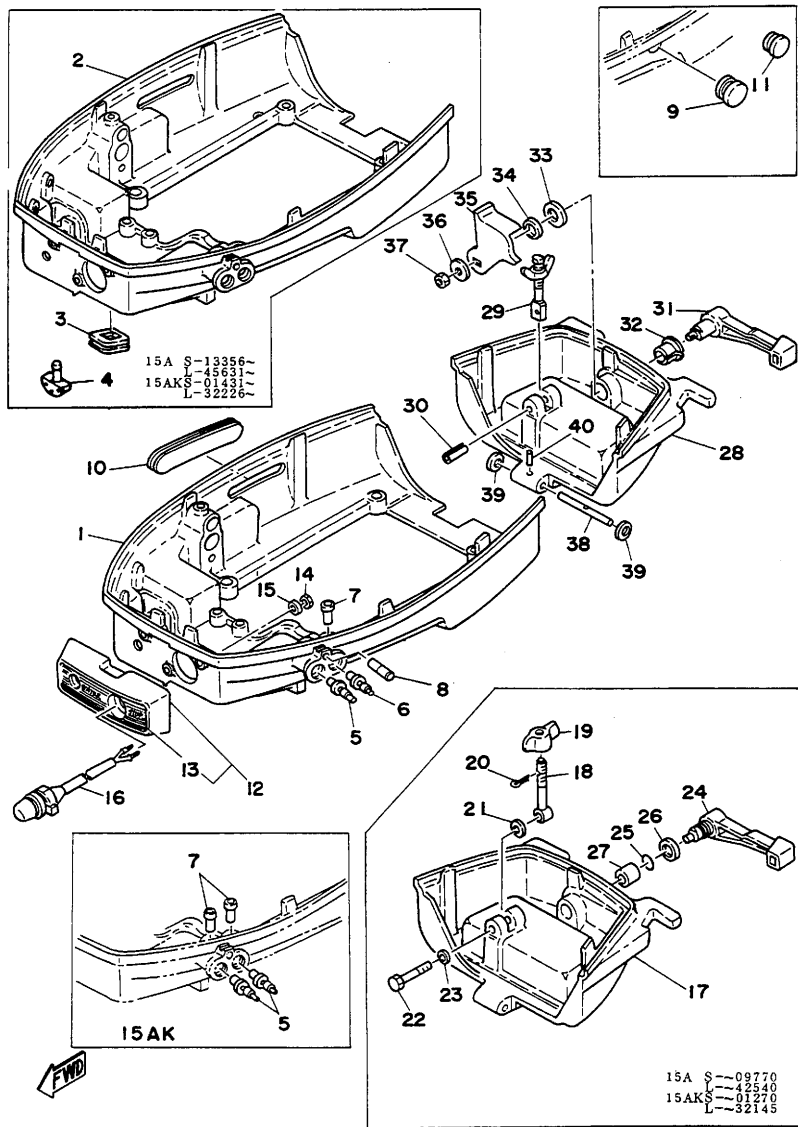
Fig. 21 BOTTOM COWLING



# BOTTOM COWLING

Ref. No.	Parts No.	Description	Q'ty		Applicable Machine No.	Remarks
			15A	15AK		
21- 1	650-42711-00-F6 COWLING, bottom 1	.....	1		15AS-~12755 L~44360 15AKS-~01430 L~32225	Metallic Ocean Blue
	652-42711-00-F6 COWLING, bottom 1	.....	1			
21- 2	* 650-42711-01-F6 COWLING, bottom 1	.....	1		15AS-13356~ L-46431~ 15AKS-01431~ L-32226~	Metallic Ocean Blue
	* 652-42711-01-F6 COWLING, bottom 1	.....	1			
21- 3	* 650-26326-00 GROMMET	.....	1	1		
21- 4	606-42591-00 HOLDER, shear pin	.....	1	1		
21- 5	650-24376-00 PIPE, joint 1	.....	1	2		
21- 6	650-24377-00 PIPE, joint 2	.....	1			
21- 7	650-24378-00 PIPE, joint 3	.....	1	2		
21- 8	655-24381-00 SET BAR, fuel joint	.....	1	1		
21- 9	90480-12012 GROMMET (122-15486-00)	.....	1		15AS-~06760 L~38700	
21-10	90480-01050 GROMMET (626-42725-00)	.....	1	1		
21-11	90480-19030 GROMMET (612-42724-00)	.....	1	1	15AS-~03295 L~34965 15AKS-~00460 L~30670	
21-12	650-42719-00 PANEL, front lower	.....	1	1		
21-13	650-42781-00 GRAPHIC, front	.....	1	1		
21-14	95303-05700 NUT, hexagon	.....	2	2		
21-15	92903-05100 WASHER, spring	.....	2	2		
21-16	648-82550-01 STOP SWITCH ASS'Y	.....	1	1		
21-17	650-42712-00-F6 COWLING, bottom 2	.....	1	1	15AS-~06760 L~38700 15AKS-~00900 L~31270 15AS-06761~09770 L-38701~42540 15AKS-00901~01270 L-31271~32145	Metallic Ocean Blue
	650-42712-01-F6 COWLING, bottom 2	.....	1	1		
21-18	90149-08026 SCREW (626-42846-02)	.....	1	1		
21-19	90175-08002 NUT, wing (626-43372-00)	.....	1	1		
21-20	91490-20012 PIN, cotter	.....	1	1	15AS-~09770 L~42540 15AKS-~01270 L~32145	
21-21	90202-06009 WASHER, plate (626-42751-00)	..	1	1		
21-22	97323-06035 BOLT, hexagon	.....	1	1		
21-23	92903-06100 WASHER, spring	.....	1	1		
21-24	650-42815-00-F6 LEVER, clamp 1	.....	1	1		Metallic Ocean Blue
21-25	93210-10107 O-RING (1.9-9.8)	.....	1	1	15AS-~06760 L~38700 15AKS-~00900 L~31270	
21-26	90202-12034 WASHER, plain (626-42823-00)	..	1	1		
21-27	90380-13013 BUSHING (626-42831-00)	.....	1	1		

Fig. 21 BOTTOM COWLING

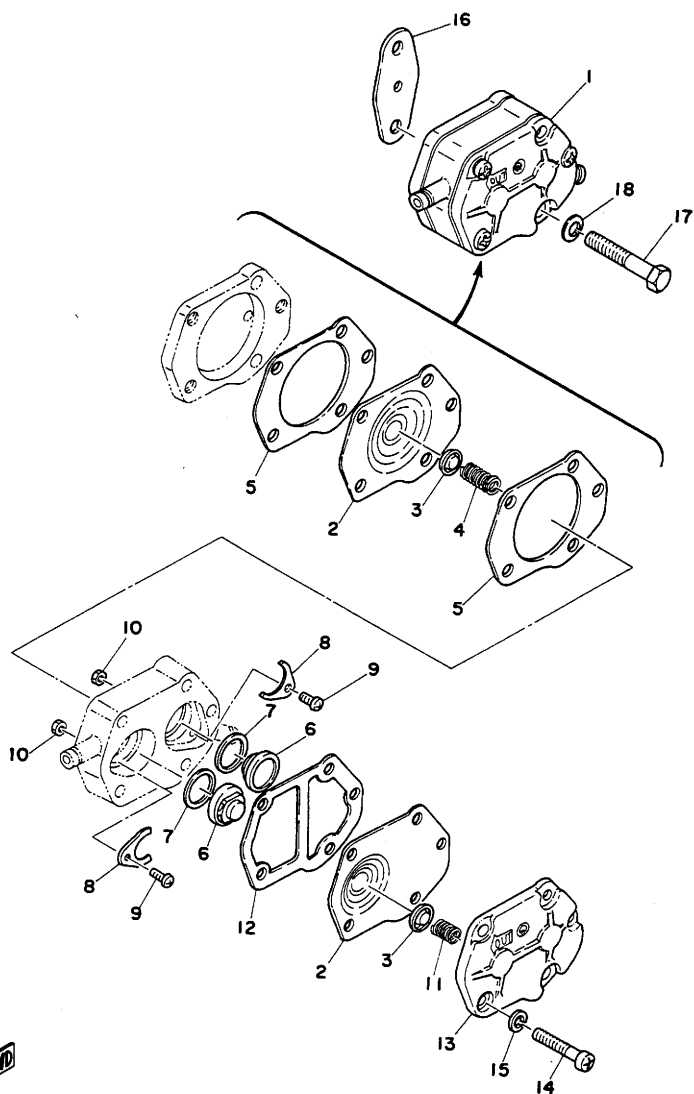




# BOTTOM COWLING

Ref. No.	Parts No.	Description	Q'ty		Applicable Machine No.	Remarks
			15A	15AK		
21-28	650-42712-02-F6	COWLING, bottom 2	1	1		Metallic Ocean Blue
21-29	650-42796-00	BOLT 1	1	1	15AS-09771 ~ L-32541 ~ 15AKS-01271 ~ L-32146 ~	
21-30	91609-50332	PIN, spring	1	1		
21-31	650-42815-01-F6	LEVER, clamp 1	1	1		Metallic Ocean Blue
21-32	90386-13038	BUSHING	1	1	15AS-06761 ~ L-38791 ~ 15AKS-00901 ~ L-31271 ~	
21-33	90201-13203	WASHER, plate (650-42838-00)	1	1		
21-34	90206-13019	WASHER, wave (626-42832-00)	1	1		
21-35	650-42816-01	LEVER, clamp 2	1	1		
21-36	90201-06068	WASHER, plate (620-24576-00)	1	1		
21-37	95303-06700	NUT, hexagon	1	1		
21-38	626-42752-00	SHAFT	1	1		
21-39	90202-06009	WASHER, plate (626-42751-00)	2	2		
21-40	91690-25012	PIN, spring	1	1		

Fig. 22 FUEL PUMP (15A)



# FUEL PUMP (15A)

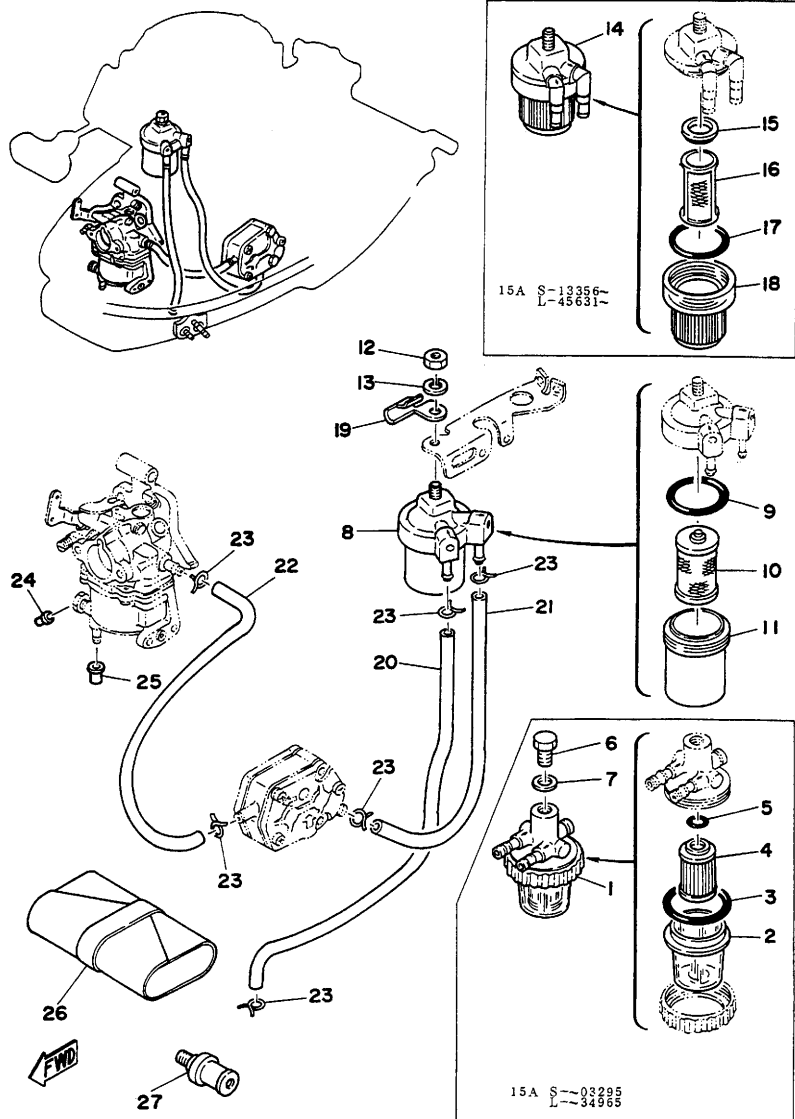
Ref. No.	Parts No.	Description	Q'ty 15A	Applicable Machine No.	Remarks
22- 1	663-24410-00	FUEL PUMP ASS'Y	1		
22- 2	648-24411-00	. DIAPHRAGM, pump	2		
22- 3	648-24424-00	. PLATE, spring guide	2		
22- 4	648-24423-00	. SPRING, diaphragm	1		
22- 5	648-24434-00	. GASKET, body 1	2		
22- 6	648-24421-00	. VALVE SUB ASS'Y	2		
22- 7	648-24431-00	. GASKET	2		
22- 8	648-24422-01	. PLATE	2		
22- 9	98503-03008	. SCREW, panhead	2		
22-10	95301-03600	. NUT, hexagon	2		
22-11	648-24454-00	. SPRING	1		
22-12	648-24435-02	. GASKET, body 2	1		
22-13	648-24413-01	. COVER, pump	1		
22-14	98503-05030	. SCREW, panhead	3		
22-15	92990-05100	. WASHER, spring	3		
★ 22-16	650-24431-00	GASKET, fuel pump	1		
22-17	97323-06040	BOLT, hexagon	2		
22-18	92903-06100	WASHER, spring	2		



## FUEL PUMP (15AK)

Ref. No.	Parts No.	Description	Q'ty 15AK	Applicable Machine No.	Remarks
23- 1	652-24410-01	FUEL PUMP ASS'Y .....	1		
23- 2	652-24461-00	. PIPE, joint .....	2		
23- 3	98701-04010	. SCREW, flathead .....	3		
23- 4	92990-04200	. WASHER, tooth .....	3		
23- 5	652-24471-00	. DIAPHRAGM .....	1		
23- 6	652-24432-00	. GASKET, fuel pump 2 .....	2		
23- 7	648-24434-00	. GASKET, body 1 .....	2		
23- 8	648-24411-00	. DIAPHRAGM .....	2		
23- 9	648-24424-00	. PLATE, spring guide .....	2		
23-10	648-24423-00	. SPRING, diaphragm .....	1		
23-11	648-24454-00	. SPRING .....	1		
23-12	648-24421-00	. VALVE SUB ASS'Y .....	2		
23-13	648-24431-00	. GASKET .....	2		
23-14	648-24422-01	. PLATE .....	2		
23-15	98503-03008	. SCREW, panhead .....	2		
23-16	95313-03600	. NUT .....	2		
23-17	648-24435-02	. GASKET, body 2 .....	1		
23-18	648-24413-01	. COVER, pump .....	1		
23-19	98503-05028	. SCREW, panhead .....	3		
23-20	92990-05100	. WASHER, spring .....	3		
☆ 23-21	650-24431-00	GASKET, fuel pump .....	1		
☆ 23-22	97323-06050	BOLT, hexagon .....	2		
23-23	92903-06100	WASHER, spring .....	2		

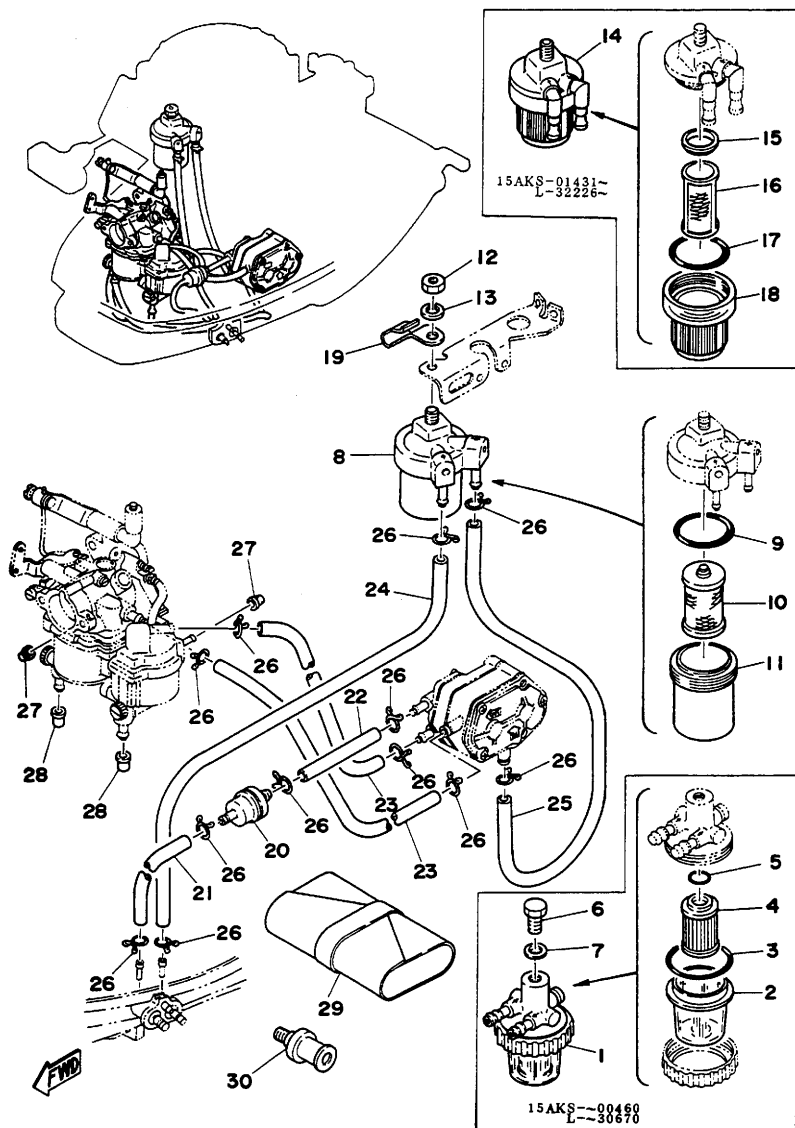
Fig. 24 PIPING (15A)



# PIPING (15A)

Ref. No.	Parts No.	Description	Q'ty 15A	Applicable Machine No.	Remarks
24- 1	617-24560-00	FILTER ASS'Y	1		} 15AS-03295 L-34965
24- 2	617-24561-00	. CUP, filter	1		
24- 3	617-24564-00	. O-RING	1		
24- 4	617-24563-00	. ELEMENT, filter	1		
24- 5	617-24565-00	. O-RING	1		
24- 6	97323-08016	BOLT, hexagon	1		
24- 7	92903-08600	WASHER, plate	1		
24- 8	648-24560-03	FILTER ASS'Y	1		} 15AS-03296 ~ 12755 L-34966 ~ 44380
★24- 9	648-24564-02	. PACKING, filter 1	1		
24-10	648-24563-01	. ELEMENT, filter	1		
24-11	648-24521-03	. CUP, filter	1		} 15AS-03296 ~ L-34966 ~
24-12	95303-08600	NUT, hexagon	1		
24-13	92903-08100	WASHER, spring	1		} 15AS-13356 ~ L-45631 ~
24-14	* 655-24560-00	FILTER ASS'Y	1		
★24-15	* 655-24564-00	. PACKING, filter	1		
24-16	* 655-24563-00	. ELEMENT, filter	1		
★24-17	* 93210-35339	. O-RING (2.0-34.5)	1		
24-18	* 655-24521-00	. CUP, filter	1		} 15AS-06761 ~ L-38711 ~
24-19	90465-08017	CLAMP (650-82361-00)	1		
24-20	90445-09102	HOSE (615-24313-20 5-9-290)	1		
24-21	90445-09251	HOSE (5-9-350)	1		
24-22	90445-09077	HOSE (5-9-135)	1		
24-23	90467-08004	CLIP, pipe (616-24356-00)	6		
24-24	647-14395-60	CAP, over flow pipe	1		
24-25	648-14382-60	CAP, drain pipe	1		
24-26	617-28100-10	TOOL ASS'Y	1		
24-27	626-28193-01-94	PLUG, water check 1	1		

Fig. 25 PIPING (15AK)

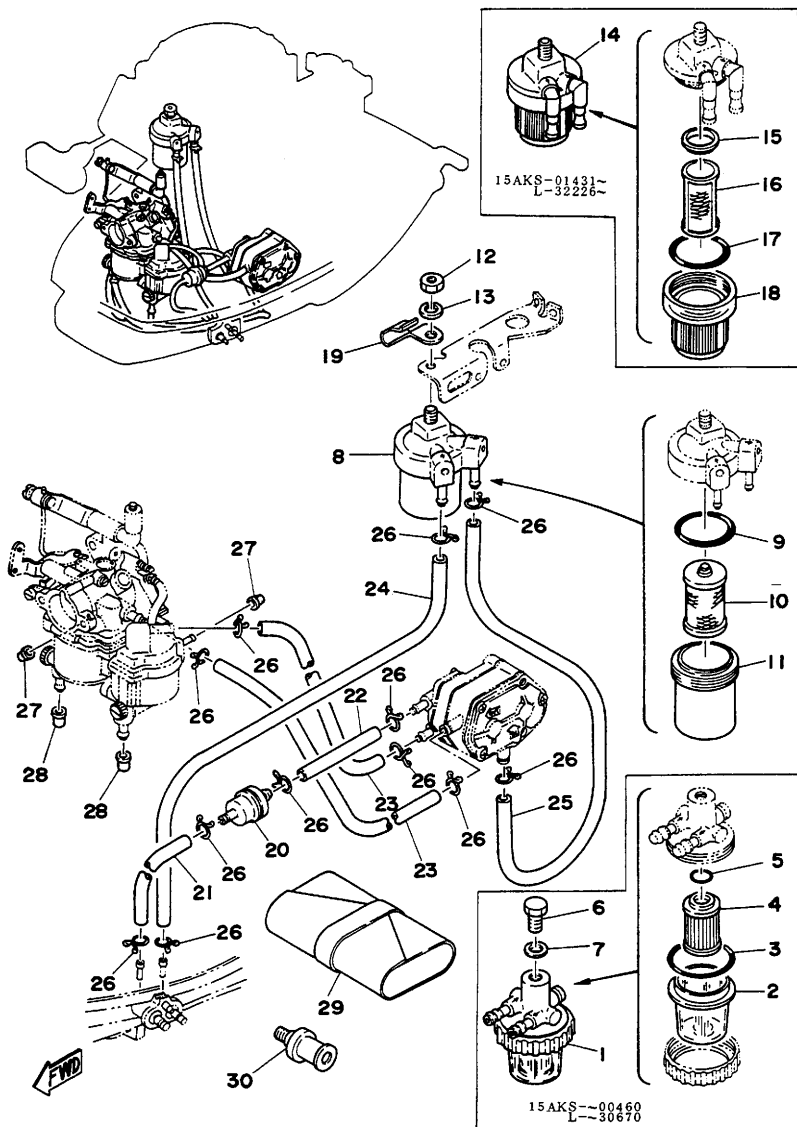




# PIPING (15AK)

Ref. No.	Parts No.	Description	Q'ty 15AK	Applicable Machine No.	Remarks
25- 1	617-24560-00	FILTER ASS'Y	1		} 15AKS-~00460 L-~30670
25- 2	617-24561-00	. CUP, filter	1		
25- 3	617-24564-00	. O-RING	1		
25- 4	617-24563-00	. ELEMENT, filter	1		
25- 5	617-24565-00	. O-RING	1		
25- 6	97323-08016	BOLT, hexagon	1		
25- 7	92903-08600	WASHER, plate	1		
25- 8	648-24560-03	FILTER ASS'Y	1		
☆25- 9	648-24564-02	. PACKING, filter 1	1		
25-10	648-24563-01	. ELEMENT, filter	1		
25-11	648-24521-03	. CUP, filter	1		
25-12	95303-08600	NUT, hexagon	1		
25-13	92903-08100	WASHER, spring	1		} 15AKS-00461 ~ L-30671 ~
25-14	* 655-24560-00	FILTER ASS'Y	1		} 15AKS-01431 ~ L-32226 ~
★25-15	* 655-24564-00	. PACKING, filter	1		
25-16	* 655-24563-00	. ELEMENT, filter	1		
★25-17	* 93210-35339	. O-RING (2.0-34.5)	1		
25-18	* 655-24521-00	. CUP, filter	1		} 15AKS-00901 ~ L-31271 ~
25-19	90465-08017	CLAMP (650-82361-00)	1		
25-20	646-24251-01	STRAINER 1	1		
25-21	652-24315-00	PIPE 5 (2-5-150)	1		
25-22	90445-09220	HOSE (652-24313-00 5-9-30)	1		
25-23	90445-09077	HOSE (5-9-135)	2		
25-24	90445-09102	HOSE (615-24313-20 5-9-290)	1		
25-25	90445-09102	HOSE (615-24313-20 5-9-290)	1		} 15AKS-~00980 L-~31325
	90445-09251	HOSE (5-9-350)	1		
25-26	90467-08004	CLIP, pipe (616-24356-00)	12		
25-27	647-14395-60	CAP, over flow pipe	2		
25-28	648-14382-60	CAP, drain pipe	2		

Fig. 25 PIPING (15AK)



## PIPING (15AK)

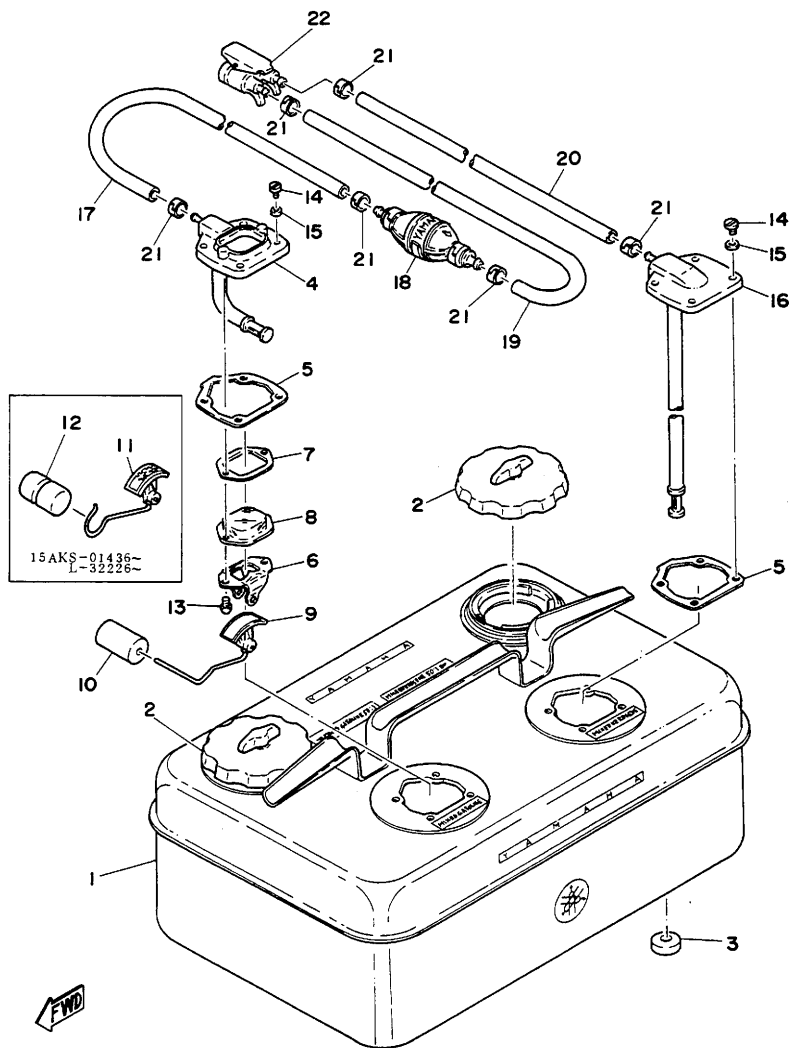
Ref. No.	Parts No.	Description	Q'ty	Applicable Machine No.	Remarks
25-29	617-28100-10	TOOL ASS'Y .....	1	15AK	
25-30	626-28193-01-94	PLUG, water check 1 .....	1		



# FUEL TANK (15A)

Ref. No.	Parts No.	Description	Q'ty 15A	Applicable Machine No.	Remarks
26- 1	663-24202-80-24	FUEL TANK ASS'Y .....	1		Light Vermilion
26- 2	663-24201-80-24	. FUEL TANK COMP. ....	1		Light Vermilion
26- 3	663-24244-00	. . GRAPHIC, side .....	2		
26- 4	663-24245-00	. . GRAPHIC .....	1		
26- 5	802-24610-00	. CAP ASS'Y .....	1		
26- 6	663-24275-00	. FUEL METER COMP. ....	1		
26- 7	663-24268-00	. GASKET, housing fuel meter ..	1		
26- 8	98580-05015	. SCREW, panhead .....	4		
26- 9	630-24329-00	. SEAL .....	4		
26-10	630-24269-01	. GASKET, support indicator ...	1		
26-11	630-24263-01	. LENS, indicator .....	1		
26-12	630-24262-01	. SUPPORT, indicator .....	1		
26-13	98503-05010	. SCREW, panhead .....	2		
26-14	663-24241-00	. INDICATOR .....	1		
26-15	663-24264-00	. FLOAT .....	1		
26-16	650-24310-81	FUEL PIPE ASS'Y .....	1		
26-17	655-24305-00	. FUEL PIPE JOINT COMP. 2 ..	1		
26-18	93210-08287	. . O-RING (3.0-8.0) .....	1		
26-19	663-24397-00	. COLLAR .....	1		
26-20	90445-12207	. HOSE (6-11.5-2400) .....	1		
26-21	650-24360-01	. PRIMARY PUMP ASS'Y .....	1		
26-22	90445-12155	. HOSE (650-24313-00 6-11.5-1000)	1		
26-23	650-24305-00	. FUEL PIPE JOINT COMP. 2 ..	1		
26-24	650-24351-00	. BAND, fuel pipe 1 .....	4		

Fig. 27 FUEL TANK (15AK)



# FUEL TANK (15AK)

Ref. No.	Parts No.	Description	Q'ty 15AK	Applicable Machine No.	Remarks
27- 1	630-24201-61-24	FUEL TANK COMP. ....	1		Light Vermilion
27- 2	647-24610-02	CAP ASS'Y .....	2		
27- 3	630-24217-00	COVER .....	3		
27- 4	652-24275-60	FUEL METER COMP. 1 .....	1		
27- 5	663-24268-00	GASKET, housing fuel meter .....	2		
27- 6	630-24262-01	SUPPORT, indicator .....	1		
27- 7	630-24269-01	GASKET, support indicator .....	1		
27- 8	630-24263-01	LENS, indicator .....	1		
27- 9	630-24242-01-33	INDICATOR 2 .....	1	} 15AKS ~01435 L ~32225	Yamaha Black
27-10	652-24264-00	FLOAT .....	1		
27-11	* 630-24242-02-33	INDICATOR 2 .....	1	} 15AKS-01436 ~ L-32226 ~	Yamaha Black
27-12	* 652-24264-01	FLOAT .....	1		
27-13	98503-05010	SCREW, cylinderhead .....	2		
27-14	98580-05015	SCREW, panhead .....	8		
27-15	630-24329-00	SEAL .....	8		
27-16	652-24276-60	FUEL METER COMP. 2 .....	1		
27-17	90445-12207	HOSE (6-11.5-2400) .....	1		
27-18	650-24360-01	PRIMARY PUMP ASS'Y .....	1		
27-19	90445-12155	HOSE (650-24313-00 6-11.5-1000) ..	1		
27-20	90445-12208	HOSE (6-11.5-3500) .....	1		
27-21	650-24351-00	BAND, fuel pipe 1 .....	6		
27-22	650-24305-00	FUEL PIPE JOINT COMP. 2 .....	1		

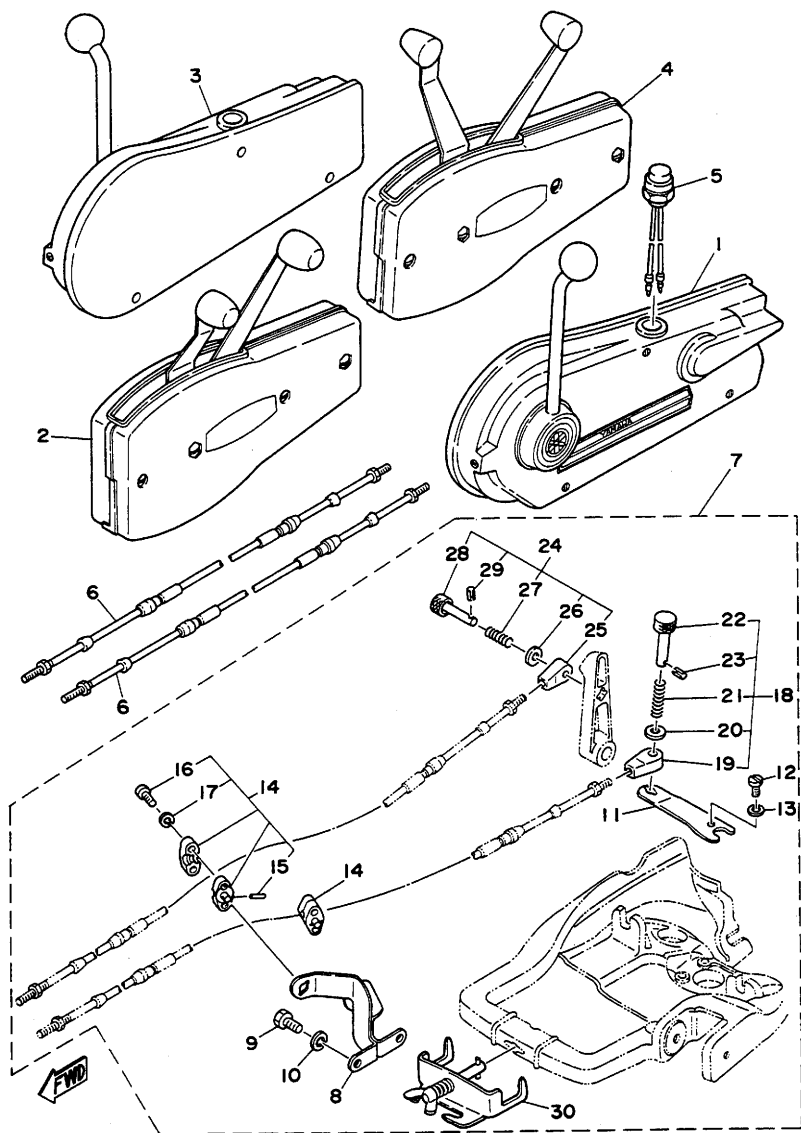




# OPTIONAL PARTS



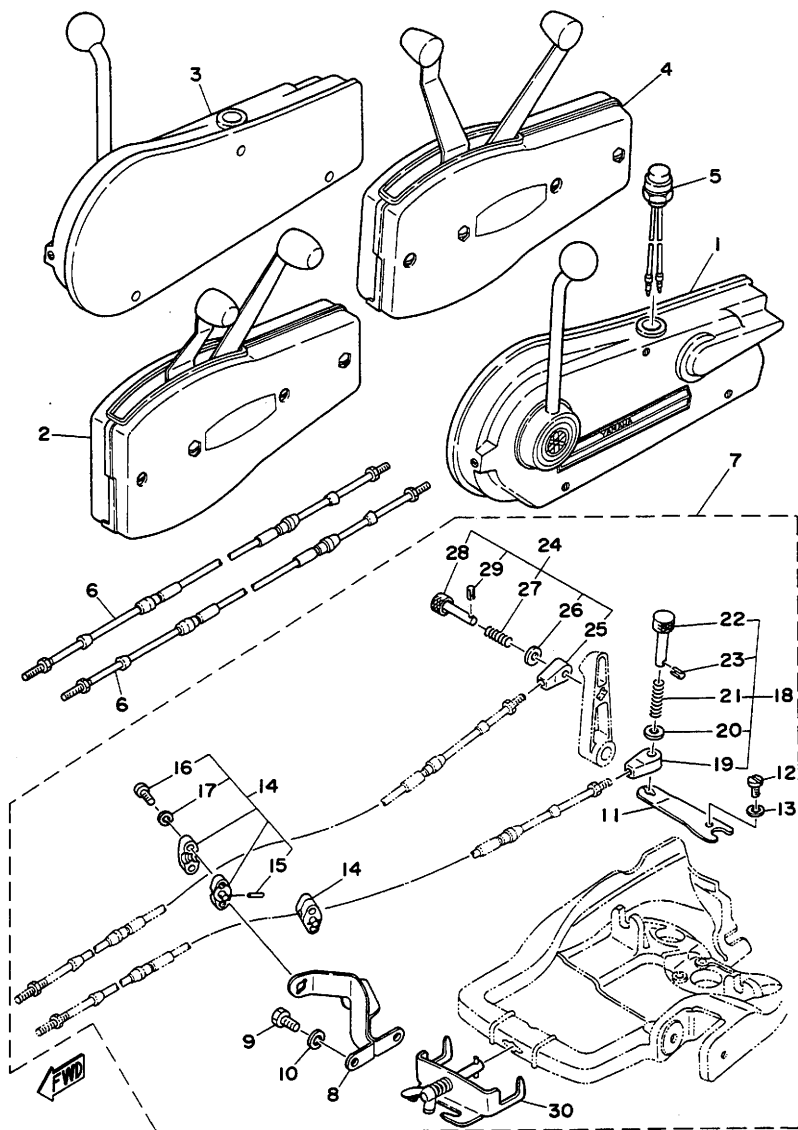
Fig. 28 REMOTE CONTROL



# REMOTE CONTROL

Ref. No.	Parts No.	Description	Q'ty		Applicable Machine No.	Remarks
			15A	15AK		
28- 1	701-48110-10	REMOTE CONTROL ASS'Y 1	...	1 1		Single
28- 2	701-48110-30	REMOTE CONTROL ASS'Y 3	...	1 1		Double
28- 3	701-48120-10	REMOTE CONTROL ASS'Y 1	...	1 1	} For Left Handle	Single
28- 4	701-48120-30	REMOTE CONTROL ASS'Y 3	...	1 1		Double
28- 5	701-82550-50	STOP SWITCH ASS'Y	.....	1 1		
28- 6	701-48310-10	CABLE, remote control 6F	.....	2 2		6 feet
	701-48310-20	CABLE, remote control 7F	.....	2 2		7 feet
	701-48310-40	CABLE, remote control 8F	.....	2 2		8 feet
	701-48310-60	CABLE, remote control 9F	.....	2 2		9 feet
	701-48310-90	CABLE, remote control 11F	.....	2 2		11 feet
	701-48320-00	CABLE, remote control 12F	.....	2 2		12 feet
	701-48320-20	CABLE, remote control 13F	.....	2 2		13 feet
	701-48320-30	CABLE, remote control 14F	.....	2 2		14 feet
	701-48320-50	CABLE, remote control 15F	.....	2 2		15 feet
	701-48320-60	CABLE, remote control 16F	.....	2 2		16 feet
701-48320-80	CABLE, remote control 17F	.....	2 2		17 feet	
701-48320-90	CABLE, remote control 18F	.....	2 2		18 feet	
28- 7	626-48501-00	ATTACHMENT ASS'Y	.....	1 1		
28- 8	626-48531-00	. BRACKET, remote control	....	1 1		
28- 9	97370-08018	. BOLT, hexagon	.....	2 2		
28-10	92990-08100	. WASHER, spring	.....	2 2		
28-11	634-48534-00	. THROTTLE LEVER, control	..	1 1		
28-12	92503-06015	. SCREW, cylinderhead	.....	1 1		
28-13	92903-06100	. WASHER, spring	.....	1 1		
28-14	626-48508-00	. CLAMP CABLE ASS'Y	.....	2 2		
28-15	91690-30012	.. PIN, spring	.....	2 2		
28-16	98380-05018	.. SCREW, cylinderhead	.....	4 4		
28-17	92990-05100	.. WASHER, spring	.....	4 4		
28-18	617-48340-90	. CABLE END ASS'Y	.....	1 1		Trottle

Fig. 28 REMOTE CONTROL



# REMOTE CONTROL

Ref. No.	Parts No.	Description	Q'ty		Applicable Machine No.	Remarks
			15A	15AK		
28-19	617-48346-90	. . CABLE END, remote control	1	1		
28-20	92990-08200	. . WASHER, plain	1	1		
28-21	90501-10071	. . SPRING (604-48332-00)	1	1		
28-22	617-48361-90	. . HOOK, cable 2	1	1		
28-23	91690-30012	. . PIN, spring	1	1		
28-24	617-48330-90	. CABLE END ASS'Y	1	1		Shift
28-25	617-48346-90	. . CABLE END, remote control	1	1		
28-26	92990-08200	. . WASHER, plain	1	1		
28-27	90501-10245	. . SPRING (180-27236-00)	1	1		
28-28	617-48331-90	. . HOOK, cable 1	1	1		
28-29	91690-30012	. . PIN, spring	1	1		
28-30	700-48510-11	. STEERING HOOK ASS'Y	1	1		



# NUMERICAL INDEX







# NUMERICAL INDEX

Ref No.	Parts No.	Ref No.	Parts No.	Ref No.	Parts No.
17-11	164-81246-21	1- 8	624-11379-00	1-50	626-15369-00
18-14	164-81246-21	1-12	624-11379-00	19- 3	626-15713-00
3- 8	174-11681-00	2- 4	624-11379-00	19- 4	626-15714-00
17-14	207-81331-10	1- 3	624-14485-00	19- 8	626-15715-01
18-12	207-81331-10	1- 6	624-14485-00	19-10	626-15716-00
13-16	606-42591-00	1-22	624-14588-01	19- 7	626-15719-00
21- 4	606-42591-00	4-15	624-24156-00	19-11	626-15726-00
11-20	608-43165-00	4-14	624-41271-00	19- 5	626-15739-00
8-51	611-45633-00	17-36	624-82370-00	19- 6	626-15741-01
19-15	615-15751-00	1-33	626-11191-01-94	24-27	626-28193-01-94
10-28	616-43118-00-F6	1-34	626-11193-00	25-30	626-28193-01-94
8-17	616-45251-30	3- 3	626-11422-01	1-54	626-41112-01
8-18	616-45252-30	3- 4	626-11432-01	6-18	626-41231-00
24- 1	617-24560-00	3- 5	626-11442-01	16-13	626-41635-00
25- 1	617-24560-00	1-42	626-12414-00	16- 2	626-41661-00-94
24- 2	617-24561-00	5-10	626-14333-00	16- 3	626-41662-00-94
25- 2	617-24561-00	6-43	626-14333-00	13-24	626-42141-00
24- 4	617-24563-00	5-16	626-14335-00	13-25	626-42142-00
25- 4	617-24563-00	6-36	626-14335-00	13-43	626-42155-00
24- 3	617-24564-00	5-17	626-14371-00	13-20	626-42159-00-F6
25- 3	617-24564-00	6-37	626-14371-00	10- 5	626-42528-01
24- 5	617-24565-00	5-13	626-14373-00	13-44	626-42541-00
25- 5	617-24565-00	6-33	626-14373-00	15- 6	626-42715-00
24-26	617-28100-10	5-14	626-14374-00	21-38	626-42752-00
25-29	617-28100-10	6-34	626-14374-00	10-14	626-43111-00-F6
4-16	617-41272-01	5-18	626-14376-00	10-15	626-43112-00-F6
28-24	617-48330-90	6-32	626-14376-00	10-17	626-43136-00
28-28	617-48331-90	5-15	626-14378-00	11-19	626-43160-01
28-18	617-48340-90	6-35	626-14378-00	11-26	626-43180-09
28-19	617-48346-90	5-22	626-14385-00	10- 1	626-43311-09-F6
28-25	617-48346-90	6- 9	626-14385-00	11-31	626-43313-00-F6
28-22	617-48361-90	5-24	626-14386-00	11- 9	626-43614-00
19-14	619-15755-01	6-11	626-14386-00	11-13	626-43615-00
11-30	620-43189-00	5-23	626-14387-00	11- 4	626-43616-00
11-32	620-43319-00	6-10	626-14387-00	11- 1	626-43631-00
11-27	620-43632-00	5- 5	626-14390-12	15- 1	626-44111-00-F6
1-10	624-11370-00	6-12	626-14390-12	15-13	626-44117-01
2- 3	624-11370-00	5- 6	626-14398-00	9-16	626-44365-01
1-11	624-11375-00	6-13	626-14398-00	12- 4	626-44514-02

# NUMERICAL INDEX

Ref No.	Parts No.	Ref No.	Parts No.	Ref No.	Parts No.
12- 5	626-44515-02	3-22	634-11633-00	6- 8	648-14343-54
12- 1	626-44516-02	16-25	634-41632-00	5- 4	648-14343-62
12-15	626-44555-02	16- 4	634-44114-00-94	5- 8	648-14344-35
7- 2	626-45113-01	28-11	634-48534-00	5- 2	648-14347-00
10-13	626-45119-00	5-37	646-14223-01	6-44	648-14347-50
8-15	626-45215-00	6-59	646-14223-01	24-25	648-14382-60
8- 4	626-45316-09	5-36	646-14394-00	25-28	648-14382-60
8- 2	626-45317-09	6-58	646-14394-00	6-38	648-14394-40
8-25	626-45526-00	5-38	646-14397-00	22- 2	648-24411-00
8-29	626-45533-01-11	6-60	646-14397-00	23- 8	648-24411-00
8-29	626-45533-01-12	25-20	646-24251-01	22-13	648-24413-01
8-29	626-45533-01-13	24-24	647-14395-60	23-18	648-24413-01
8-29	626-45533-01-14	25-27	647-14395-60	22- 6	648-24421-00
8-27	626-45534-00-04	19-32	647-15780-01	23-12	648-24421-00
8-30	626-45551-00	27- 2	647-24610-02	22- 8	648-24422-01
8-49	626-45560-01	16-23	647-41652-00	23-14	648-24422-01
8-48	626-45577-00-01	14-12	647-42177-00	22- 4	648-24423-00
8-48	626-45577-00-03	8-37	647-44147-00	23-10	648-24423-00
8-48	626-45577-00-05	17- 4	647-81311-10	22- 3	648-24424-00
8-67	626-45616-01	17- 5	647-81312-10	23- 9	648-24424-00
8-69	626-45926-01-38	17- 7	647-81313-41	22- 7	648-24431-00
8-69	626-45943-02-36	17-16	647-81315-10	23-13	648-24431-00
8-69	626-45945-01-36	17- 9	647-81318-10	22- 5	648-24434-00
8-69	626-45949-01-36	18- 7	647-81318-10	23- 7	648-24434-00
28- 7	626-48501-00	17- 6	647-81323-10	22-12	648-24435-02
28-14	626-48508-00	18- 6	647-81323-10	23-17	648-24435-02
28- 8	626-48531-00	17- 8	647-81324-10	22-11	648-24454-00
11-19	627-43160-01	18- 9	647-81324-10	23-11	648-24454-00
27- 1	630-24201-61-24	17-13	647-81325-11	24-11	648-24521-03
27- 3	630-24217-00	18-10	647-81325-11	25-11	648-24521-03
27- 9	630-24242-01-33	17-15	647-81336-10	24- 8	648-24560-03
27-11	630-24242-02-33	17- 2	647-81350-10	25- 8	648-24560-03
26-12	630-24262-01	5-11	648-14323-00	24-10	648-24563-01
27- 6	630-24262-01	6-40	648-14323-00	25-10	648-24563-01
26-11	630-24263-01	6-29	648-14331-00	24- 9	648-24564-02
27- 8	630-24263-01	5-12	648-14334-00	25- 9	648-24564-02
26-10	630-24269-01	6-41	648-14334-00	5-44	648-41210-01
27- 7	630-24269-01	6-39	648-14342-25	6-21	648-41210-01
26- 9	630-24329-00	5- 7	648-14342-26	5-39	648-41216-00
27-15	630-24329-00				

# NUMERICAL INDEX

Ref No.	Parts No.	Ref No.	Parts No.	Ref No.	Parts No.
6-14	648-41216-00	5- 9	650-14321-00	21- 7	650-24378-00
5-50	648-41216-01	6-42	650-14321-00	22-16	650-24431-00
6-16	648-41216-01	5-20	650-14327-00	23-21	650-24431-00
5-48	648-41241-00	6-24	650-14327-00	13-35	650-26311-00
6-30	648-41241-00	5-21	650-14349-00	14-20	650-26311-01
14-19	648-42138-00	6-25	650-14349-00	13-36	650-26317-00
10-27	648-43114-01	5-25	650-14381-01	14-21	650-26317-01
11-20	648-43165-00	5-26	650-14381-02	21- 3	650-26326-00
11-17	648-43192-00-F6	5-27	650-14384-00	1-55	650-41111-01
9-14	648-44365-01	6- 4	650-14384-00	1-53	650-41113-00-94
8-54	648-45634-00	6-50	652-14390-10	4-19	650-41201-00
21-16	648-82550-01	5- 5	650-14390-12	4-22	650-41201-01-94
2-16	650-11325-00	6-12	650-14390-12	17-17	650-41213-00-94
1- 7	650-11370-00	5-32	650-14394-01	5-49	650-41236-00
3- 1	650-11400-01	6-56	650-14394-01	6-31	650-41236-00
3- 2	650-11412-01	4- 1	650-14431-01	4-25	650-41256-02
3-13	650-11515-00	4- 2	650-14441-01	4-17	650-41257-00
3-28	650-11561-00-03	1- 4	650-14485-02	17-24	650-41611-00-94
3-28	650-11561-00-04	1- 9	650-14485-02	17-25	650-41612-01
3-28	650-11561-00-05	2- 2	650-14485-02	17-20	650-41615-01
3-26	650-11562-00-03	16- 1	650-14497-00	1-58	650-41616-01
3-30	650-11650-00	1-23	650-14588-01	16-20	650-41631-00
3- 6	650-11651-01	1-49	650-15359-00-94	16-21	650-41631-01
3- 6	650-11651-02	19- 1	650-15710-01-33	16-22	650-41631-02
1-41	650-12413-00-94	19- 2	650-15711-00-33	16-16	650-41635-00
1-41	650-12413-01-94	19-13	650-15723-00	16-11	650-41638-00-94
1-47	650-12418-00	19-16	650-15758-01-33	16-15	650-41638-01
4- 6	650-13621-00	20-17	650-15761-01	16-17	650-41641-00
4-11	650-14198-00	19-25	650-15771-00-94	16- 5	650-41662-00-94
5-30	650-14222-00	19-27	650-15771-01-94	13-11	650-42111-00-F6
5-34	650-14222-01	26-23	650-24305-00	13-11	650-42111-01-F6
6-45	650-14222-01	27-22	650-24305-00	13-12	650-42111-02-F6
5-33	650-14223-00	26-16	650-24310-81	13- 2	650-42115-01-F6
6-57	650-14223-00	26-24	650-24351-00	13-19	650-42116-00
5-31	650-14227-00	27-21	650-24351-00	13- 1	650-42119-00
5-35	650-14227-01	26-21	650-24360-01	13- 3	650-42137-01
6-46	650-14227-01	27-18	650-24360-01	14-13	650-42137-02
6-28	650-14315-01	21- 5	650-24376-00	13-28	650-42151-00-94
		21- 6	650-24377-00	13-29	650-42152-00-94

# NUMERICAL INDEX

Ref No.	Parts No.	Ref No.	Parts No.	Ref No.	Parts No.
13-38	650-42511-02-F6	15- 5	650-44113-02	8-20	650-45511-00
14- 1	650-42511-03-F6	16- 6	650-44114-00-94	8-20	650-45511-10
10- 2	650-42521-00-F6	15-17	650-44117-00	8-60	650-45567-00-10
20-25	650-42615-01	8-33	650-44145-00	8-60	650-45567-00-12
20-20	650-42647-00	8-43	650-44147-00	8-60	650-45567-00-14
20-18	650-42651-00	8-32	650-44150-00	8-59	650-45570-00
20-22	650-42662-00	8-36	650-44150-01	8-56	650-45611-00
20-23	650-42663-00	8-42	650-44150-02	8-67	650-45616-00
20-24	650-42664-00	8-32	650-44150-10	8-52	650-45631-00
20- 3	650-42675-03	8-36	650-44150-11	8-46	650-45635-00
20- 5	650-42675-04	8-42	650-44150-12	8-69	650-45941-01-36
20- 4	650-42676-03	8-38	650-44152-01	8-69	650-45943-01-36
20- 6	650-42676-04	9- 1	650-44301-00-94	8-69	650-45945-00-36
20- 8	650-42686-00	9- 5	650-44311-00	18- 1	650-81300-A0
20-11	650-42686-01	9- 8	650-44315-00	17- 1	650-81300-60
20- 9	650-42693-00	9- 6	650-44322-01	17- 3	650-81309-10
20-12	650-42693-00	9- 2	650-44323-00	18- 3	650-81309-10
21- 1	650-42711-00-F6	9- 7	650-44323-01	17-16	650-81315-10
21- 2	650-42711-01-F6	9-15	650-44361-00	18-13	650-81315-10
21-17	650-42712-00-F6	9-15	650-44361-01	17-10	650-81321-10
21-17	650-42712-01-F6	9-15	650-44361-1-10	18-11	650-81321-10
21-28	650-42712-02-F6	9-15	650-44361-11	17-32	650-82310-11
21-12	650-42719-00	12-10	650-44551-00-F6	17-32	650-82310-12
21-13	650-42781-00	12-11	650-44552-00-F6	17-33	650-82340-10
21-29	650-42796-00	12-12	650-44554-00-F6	1-39	650-82355-00
1-35	650-42811-00-94	12-20	650-44557-02	1-40	650-82356-00
21-24	650-42815-00-F6	7- 1	650-45111-01-F6	1-38	650-82363-00
21-31	650-42815-01-F6	7-10	650-45211-10-F6	2-10	650-82363-01
21-35	650-42816-01	7-11	650-45211-11-F6	17-38	650-82370-00
10-14	650-43111-00-F6	8- 9	650-45214-00-F6	1-32	651-11111-01-94
10-15	650-43112-00-F6	8- 1	650-45310-00-F6	2- 7	651-11111-02-94
11-23	650-43160-00	8- 5	650-45315-00	1-31	651-11181-01
11-23	650-43160-10	8-44	650-45321-00	2- 6	651-11181-02
10- 1	650-43311-00-F6	8- 3	650-45330-00-94	3-24	651-11610-00
10- 1	650-43311-01-F6	8-63	650-45361-00-F6	3-25	651-11610-10
11- 2	650-43631-00	8-63	650-45361-01-F6	3-25	651-11610-20
10-30	650-43691-01	8-21	650-45501-00	3-20	651-11631-01-96
15-12	650-44110-01	8-21	650-45501-10	3-20	651-11631-01-97
15- 4	650-44113-01			3-20	651-11631-01-98

# NUMERICAL INDEX

Ref No.	Parts No.	Ref No.	Parts No.	Ref No.	Parts No.
3-21	651-11635-01	6-53	652-14385-00	25-15	655-24564-00
3-21	651-11636-01	6-55	652-14386-00	17-26	655-41611-00-94
4- 5	651-13610-01	6-54	652-14387-00	17-27	655-41612-00
5- 1	651-14301-05	6-61	652-14397-00	18- 4	655-81311-A0
5-52	651-14315-01	1- 1	652-15100-00-94	18- 5	655-81312-A0
5- 3	651-14341-00	1- 2	652-15100-60-94	18- 8	655-81313-A0
1- 1	651-15100-00-94	1- 5	652-15100-61-94	18- 2	655-81350-A0
1- 2	651-15100-60-94	2- 1	652-15100-62-94	1-46	656-12411-01
1- 5	651-15100-61-94	27-10	652-24264-00	14- 7	656-42112-00-F6
2- 1	651-15100-62-94	27-12	652-24264-01	13-13	656-42126-01
7- 7	651-41131-03	27- 4	652-24275-60	14-23	656-42126-01
20- 1	651-42610-80-F6	27-16	652-24276-60	14- 5	656-42155-00
20- 2	651-42610-81-F6	25-21	652-24315-00	11-24	656-43165-01
8-69	651-45947-00-36	6-63	652-24357-00	11-16	656-43191-00
1-32	652-11111-02-94	23- 1	652-24410-01	2-11	662-12413-02-94
1-31	652-11181-00	23- 6	652-24432-00	2-12	662-12414-00
2- 6	652-11181-01	23- 2	652-24461-00	9-12	662-44352-00
3- 1	652-11400-00	23- 5	652-24471-00	19-19	662-81362-00
3-24	652-11610-00	1-61	652-24590-00	26- 2	663-24201-80-24
3-25	652-11610-10	20- 1	652-42610-80-F6	26- 1	663-24202-80-24
3-25	652-11610-20	20- 1	652-42610-81-F6	26-14	663-24241-00
3-20	652-11631-01-96	20- 7	652-42679-01	26- 3	663-24244-00
3-20	652-11631-01-98	20-14	652-42687-00	26- 4	663-24245-00
3-21	652-11635-01	21- 1	652-42711-00-F6	26-15	663-24264-00
3-21	652-11636-01	21- 2	652-42711-01-F6	26- 7	663-24268-00
3- 6	652-11651-00	9-15	652-44361-00	27- 5	663-24268-00
4- 5	652-13610-02	9-15	652-44361-01	26- 6	663-24275-00
6-52	652-14147-00	9-15	652-44361-10	26-19	663-24397-00
6-47	652-14181-01	9-15	652-44361-11	22- 1	663-24410-00
6-48	652-14182-01	8-69	653-45941-01-36	10-13	663-45119-00
6- 1	652-14301-04	26-17	655-24305-00	17-37	663-82370-01
6- 7	652-14321-00	21- 8	655-24381-00	14- 2	664-42111-01-F6
6-62	652-14348-00	24-18	655-24521-00	14-15	664-42115-00
6-64	652-14349-00	25-18	655-24521-00	14-11	664-42119-00
6-51	652-14353-25	24-14	655-24560-00	28-30	700-48510-11
6- 2	652-14381-00	25-14	655-24560-00	28- 1	701-48110-10
6- 3	652-14381-02	24-16	655-24563-00	28- 2	701-48110-30
6-49	652-14384-00	25-16	655-24563-00	28- 3	701-48120-10
		24-15	655-24564-00	28- 4	701-48120-30

# NUMERICAL INDEX

Ref No.	Parts No.	Ref No.	Parts No.	Ref No.	Parts No.
28- 6	701-48310-10	21-19	90175-08002	11-11	90240-05045
28- 6	701-48310-20	13-37	90179-06039	15-19	90240-08010
28- 6	701-48310-40	14-22	90179-06039	10- 7	90241-03001
28- 6	701-48310-60	20-10	90183-05003	10-29	90243-04001
28- 6	701-48310-90	20-13	90183-05003	13- 4	90249-03015
28- 6	701-48320-00	13-15	90185-06062	8-23	90249-04023
28- 6	701-48320-20	14-25	90185-06062	11- 7	90249-06117
28- 6	701-48320-30	1-19	90201-06043	8-53	90250-05010
28- 6	701-48320-50	21-36	90201-06068	8-57	90250-05011
28- 6	701-48320-60	1-37	90201-07078	20-21	90266-04003
28- 6	701-48320-80	1-17	90201-08086	20-19	90266-04007
28- 6	701-48320-90	12- 3	90201-08095	13-10	90269-02001
28- 5	701-82550-50	13-41	90201-08095	8-22	90280-03024
19-12	802-15744-00	17-31	90201-10126	3-29	90280-04006
26- 5	802-24610-00	10-20	90201-10130	10- 8	90334-04002
19- 9	807-15784-00	12- 9	90201-10130	8-16	90334-10008
11-14	90101-06115	12-19	90201-10130	8-11	90340-08014
4- 8	90101-06128	21-33	90201-13203	21-27	90380-13013
10-22	90101-06336	8-50	90201-14213	15-10	90383-14006
2- 8	90101-07337	3-19	90201-14377	5-43	90386-05002
2- 9	90101-07338	8-58	90201-17251	6-20	90386-05002
10-16	90101-10077	13- 8	90201-21281	13-23	90386-08032
13-17	90113-06010	1-47	90201-21567	14-18	90386-08032
10-18	90113-08024	21-21	90202-06009	16- 7	90386-08032
10-22	90116-06028	21-39	90202-06009	21-32	90386-13038
1-21	90116-06120	21-26	90202-13034	13- 9	90386-20016
1-20	90116-06123	15- 3	90202-14036	10- 9	90386-34034
1-29	90116-07102	14- 4	90202-34043	10-11	90386-34064
1-30	90116-07126	4-29	90206-03002	10- 6	90386-38036
19-23	90143-06018	4-27	90206-04001	5-41	90387-05010
19-22	90143-06019	15-22	90206-05005	13-27	90387-06016
8-13	90149-06003	16-26	90206-05005	11-15	90387-06018
11- 5	90149-08004	15-14	90206-08010	13-31	90387-06504
21-18	90149-08026	15-18	90206-08010	15-16	90387-08001
10-26	90149-12029	21-34	90206-13019	13-42	90387-08052
10-26	90149-14030	3- 9	90209-20159	8-28	90387-16125
15-28	90170-06015	10- 4	90209-34015	3-14	90387-25185
1-36	90170-07018	17-23	90240-05004	8-14	90430-06015
17-30	90170-10113	16-23	90240-05030	8-12	90430-08020

# NUMERICAL INDEX

Ref No.	Parts No.	Ref No.	Parts No.	Ref No.	Parts No.
1-26	90445-07257	14- 6	90501-20001	4-21	92203-06015
1-28	90445-07258	13- 7	90501-20131	13-26	92280-06020
2-15	90445-07258	14-17	90501-23215	13-30	92280-06025
1-62	90445-09063	11- 3	90502-10007	8-45	92380-06010
24-22	90445-09077	11-22	90502-10014	8-41	92380-06012
25-23	90445-09077	10-19	90504-59006	6- 5	92501-04010
24-20	90445-09102	11-10	90506-20039	28-12	92503-06015
25-24	90445-09102	11-28	90508-20024	8-41	92590-06010
25-25	90445-09102	11-29	90508-20025	6- 6	92901-04100
25-22	90445-09220	10-25	90560-06088	17-12	92901-04100
24-21	90445-09251	14- 3	90560-14076	18-15	92901-04100
25-25	90445-09251	5-40	91490-12008	4-26	92903-03200
26-22	90445-12155	6-15	91490-12008	4-18	92903-04200
27-19	90445-12155	11-12	91490-16010	1-45	92903-05100
26-20	90445-12207	11- 6	91490-16012	17-29	92903-05100
27-17	90445-12207	15-15	91490-16012	20-16	92903-05100
27-20	90445-12208	15-20	91490-20012	21-15	92903-05100
19-31	90465-06038	15-24	91490-20012	15-23	92903-05200
24-19	90465-08017	21-20	91490-20012	4- 4	92903-05600
25-19	90465-08017	15-20	91490-25012	17-19	92903-05600
4-10	90465-10016	8-68	91490-30030	1-57	92903-06100
1-27	90467-06016	3-17	91609-25008	1-60	92903-06100
2- 5	90467-06016	21-30	91609-50332	2-14	92903-06100
1-63	90467-08004	11-21	91690-20008	4- 9	92903-06100
24-23	90467-08004	21-40	91690-25012	4-24	92903-06100
25-26	90467-08004	11-25	91690-30008	15-26	92903-06100
4-30	90468-10004	28-15	91690-30012	16- 9	92903-06100
13- 6	90468-10004	28-23	91690-30012	16-24	92903-06100
4-28	90468-10005	28-29	91690-30012	19-18	92903-06100
15-15	90468-10005	16-12	91690-30014	19-21	92903-06100
16-28	90468-10005	11-18	91690-30016	19-24	92903-06100
21-10	90480-01050	16-10	91690-30018	19-30	92903-06100
21- 9	90480-12012	13-32	91690-30025	21-23	92903-06100
21-11	90480-19030	15- 2	91690-40022	22-18	92903-06100
1-25	90501-02223	1-14	91830-21014	23-23	92903-06100
8-55	90501-10064	1-13	91830-22016	28-13	92903-06100
28-21	90501-10071	7-12	91890-04011	1-52	92903-06600
28-27	90501-10245	8- 6	91890-04011	4-13	92903-06600
15- 7	90501-12085	8-19	92180-06018	16-19	92903-06600

# NUMERICAL INDEX

Ref No.	Parts No.	Ref No.	Parts No.	Ref No.	Parts No.
17-22	92903-06600	28-20	92990-08200	10-12	93700-06004
17-35	92903-06600	28-26	92990-08200	1-64	94701-00040
24-13	92903-08100	15-21	92990-08600	1-64	94701-00069
25-13	92903-08100	8-62	93101-17054	22-10	95301-03600
24- 7	92903-08600	8-26	93101-20048	6-26	95301-05700
25- 7	92903-08600	3-27	93102-20104	20-15	95303-05600
14-16	92903-10600	1-48	93102-23096	5-46	95303-05700
13- 5	92990-03200	26-18	93210-08287	21-14	95303-05700
5-29	92990-04100	15- 9	93210-10096	16-18	95303-06600
23- 4	92990-04200	21-25	93210-10107	4-12	95303-06700
5-47	92990-05100	8-39	93210-14104	21-37	95303-06700
6-27	92990-05100	8-24	93210-14106	24-12	95303-08600
7- 9	92990-05100	10-10	93210-33133	25-12	95303-08600
13-22	92990-05100	24-17	93210-35339	23-16	95313-03600
22-15	92990-05100	25-17	93210-35339	6-26	95340-05700
23-20	92990-05100	8-64	93210-58144	10-23	95380-06600
28-17	92990-05100	3-10	93304-20503	13-18	95380-06700
5-42	92990-05200	8-61	93306-20309	15-27	95380-06700
6-19	92990-05200	8-47	93306-20501	12- 2	95380-08500
16-27	92990-05200	3-16	93306-20514	10-21	95380-10600
8-35	92990-06100	3-15	93306-30409	12- 8	95380-10800
8-66	92990-06100	3- 7	93310-62059	12-18	95380-10800
10-24	92990-06100	5-51	93430-04031	13-33	95390-06700
11-34	92990-06100	6-17	93430-04031	4-23	97303-06010
12- 7	92990-06100	11- 8	93430-05027	1-18	97318-06040
12-17	92990-06100	8-31	93430-07012	1-16	97318-08045
12-22	92990-06100	3-11	93440-52009	1-15	97318-08055
13-34	92990-06100	3-12	93440-52056	17-18	97323-05012
13-46	92990-06100	3-23	93450-15023	1-44	97323-05015
14-10	92990-06100	1-24	93501-08001	1-43	97323-05020
8-40	92990-06600	15- 8	93505-16006	16-14	97323-06012
9-13	92990-06600	3-18	93602-14104	1-59	97323-06015
7- 6	92990-08100	9-10	93604-08062	15-25	97323-06015
7-14	92990-08100	19-29	93604-08062	17-21	97323-06015
8- 8	92990-08100	9-11	93604-25085	19-17	97323-06015
12-14	92990-08100	4-20	93606-08047	19-20	97323-06015
13-40	92990-08100	15-11	93606-20044	19-28	97323-06015
28-10	92990-08100	7- 3	93608-12063	1-51	97323-06018
12- 3	92990-08200	10- 3	93608-12063	4- 7	97323-06018



# NUMERICAL INDEX

Ref No.	Parts No.	Ref No.	Parts No.	Ref No.	Parts No.
19-26	97323-06018	28-16	98380-05018		
14- 8	97323-06020	13-21	98380-05025		
2-13	97323-06025	5-19	98501-05010		
16- 8	97323-06025	6-22	98501-05010		
1-56	97323-06030	22- 9	98503-03008		
17-34	97323-06030	23-15	98503-03008		
14- 9	97323-06035	5-28	98503-04010		
21-22	97323-06035	26-13	98503-05010		
22-17	97323-06040	27-13	98503-05010		
23-22	97323-06050	23-19	98503-05028		
24- 6	97323-08016	22-14	98503-05030		
25- 6	97323-08016	26- 8	98580-05015		
7- 8	97370-05010	27-14	98580-05015		
8-34	97370-06015	23- 3	98701-04010		
12- 6	97370-06015				
12-16	97370-06015				
12-21	97370-06015				
8-65	97370-06020				
13-14	97370-06020				
14-24	97370-06020				
11-33	97370-06025				
13-45	97370-06025				
9- 3	97370-06035				
9- 4	97370-06050				
9- 9	97370-06050				
28- 9	97370-08018				
7- 5	97370-08025				
7- 4	97370-08030				
7-13	97370-08035				
8- 7	97370-08040				
12-13	97370-08060				
13-39	97370-08070				
5-45	97803-05010				
6-23	97803-05010				
17-28	97803-05010				
4- 3	97803-05025				
2-17	97890-05025				
8-10	98180-05015				
14-14	98180-05025				



1

0

0

1



**YAMAHA MOTOR CO., LTD.**

PRINTED IN JAPAN  
First edition Aug., 1976  
(651-28198-E5)